

WAAS CH <b>56434</b> <b>W09A</b>	APP CRS <b>094°</b>	Rwy Idg TDZE Apt Elev	<b>4000</b> <b>1148</b> <b>1150</b>
--	------------------------	-----------------------------	---

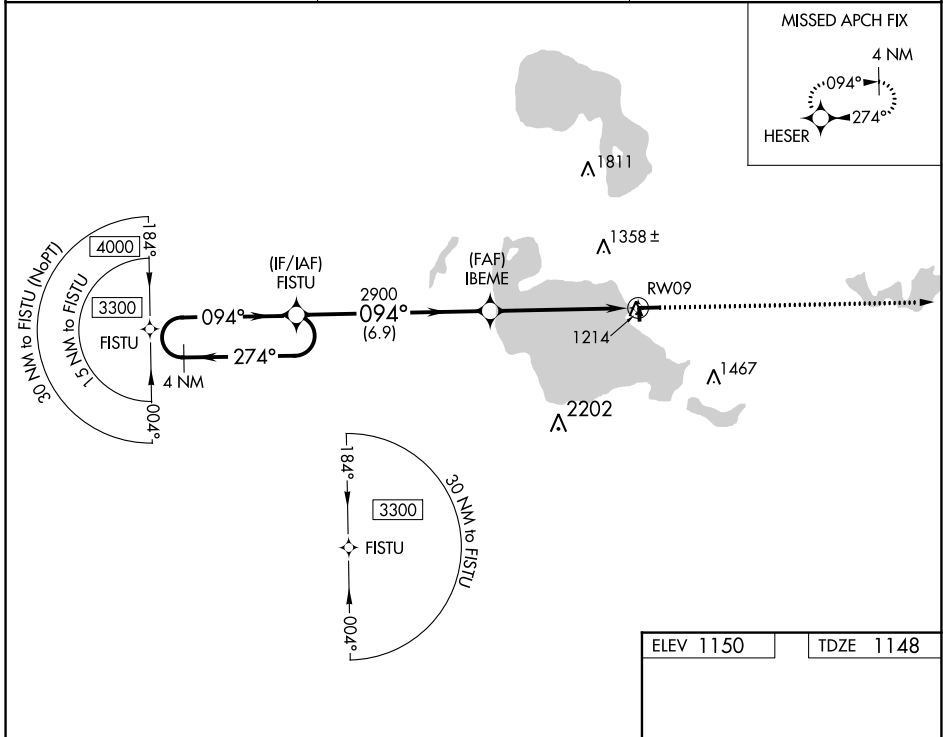
# RNAV (GPS) RWY 9

ROSCOMMON COUNTY/BLODGETT MEML (HTL)

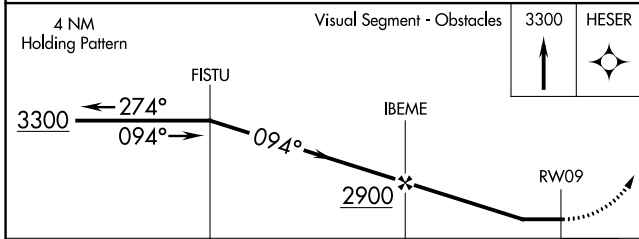
**⚠** When local altimeter setting not received, use Gaylord altimeter setting and increase all MDAs 120 feet and visibility Cat C/D ½ SM. DME/DME RNP-0.3 NA. Procedure NA at night. Helicopter visibility reduction below 1 SM NA. Circling NA to Rwy 18 and 36.

**MISSED APPROACH:**  
Climb to 3300 direct HESER and hold.

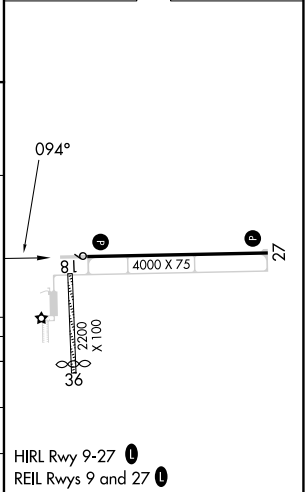
ASOS <b>118.05</b>	MINNEAPOLIS CENTER <b>125.475 269.45</b>	UNICOM <b>122.8 (CTAF) 0</b>
-----------------------	---	---------------------------------



ELEV 1150	TDZE 1148
-----------	-----------



CATEGORY	A	B	C	D
LP MDA	1520-1 372 (400-1)			
LNAV MDA	1580-1	432 (500-1)	1580-1¼	432 (500-1¼)
CIRCLING	1600-1	450 (500-1)	1700-1½	1820-2
			550 (600-1½)	670 (700-2)



EC-1, 31 OCT 2024 to 28 NOV 2024

EC-1, 31 OCT 2024 to 28 NOV 2024