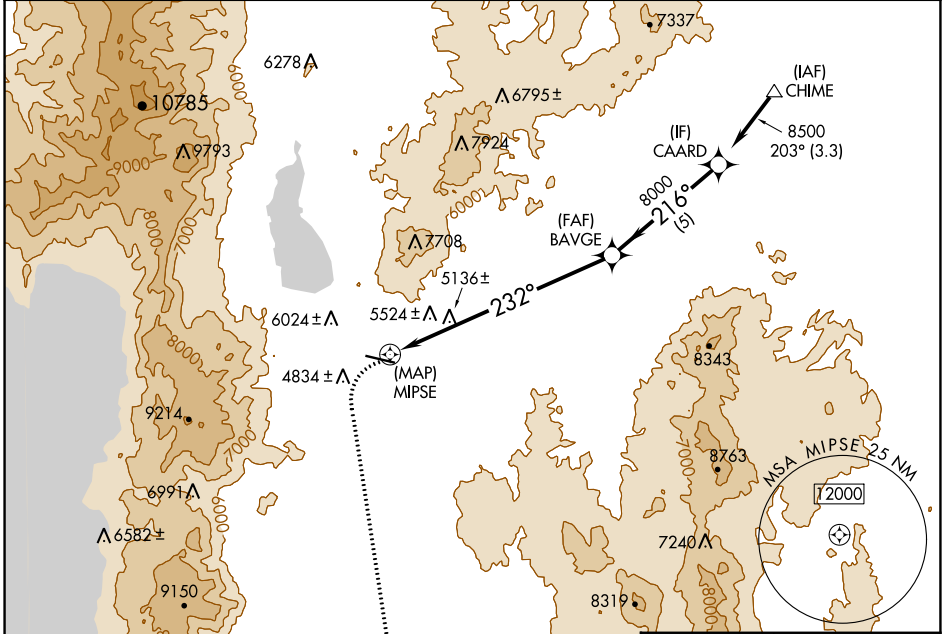


APP CRS	Rwy Idg	N/A
<b>232°</b>	TDZE	N/A
	Apt Elev	<b>4705</b>

# RNAV (GPS)-B

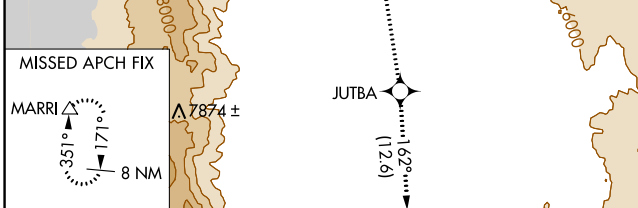
CARSON CITY (CXP)

RNP APCH.		MISSED APPROACH: Climbing left turn to 13400 direct JUTBA and on track 162° direct MARRI and hold, continue climb-in-hold to 13400.	
<p>▼ Circling NA north of Rwy 9-27.</p> <p>▲ Procedure NA at night.</p>			
AWOS-3PT	NORCAL APP CON	CLNC DEL	UNICOM
<b>119.925</b>	<b>119.2 279.55</b>	<b>133.25</b>	<b>123.0 (CTAF) 0</b>

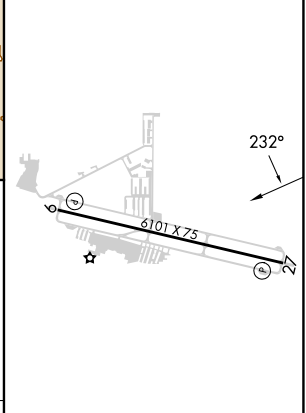
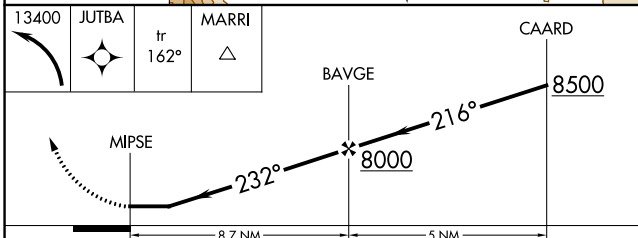


SW-4, 31 OCT 2024 to 28 NOV 2024

SW-4, 31 OCT 2024 to 28 NOV 2024



ELEV 4705



CATEGORY	A	B	C	D
CIRCLING	6340-1¼ 1635 (1700-1¼)	6340-1½ 1635 (1700-1½)	6340-3 1635 (1700-3)	7660-3 2955 (3000-3)

TDZL Rwy 9 and 27 0  
MRL Rwy 9-27 0  
REIL Rwy 9 and 27 0