

VOR/DME SBJ 112.9 Chan 76	APP CRS 100°	Rwy Idg 2550 TDZE 480 Apt Elev 480
---	------------------------	---

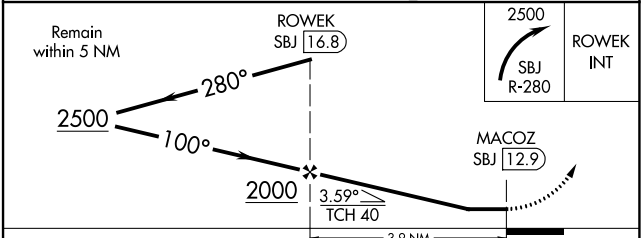
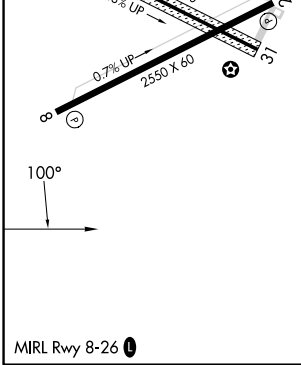
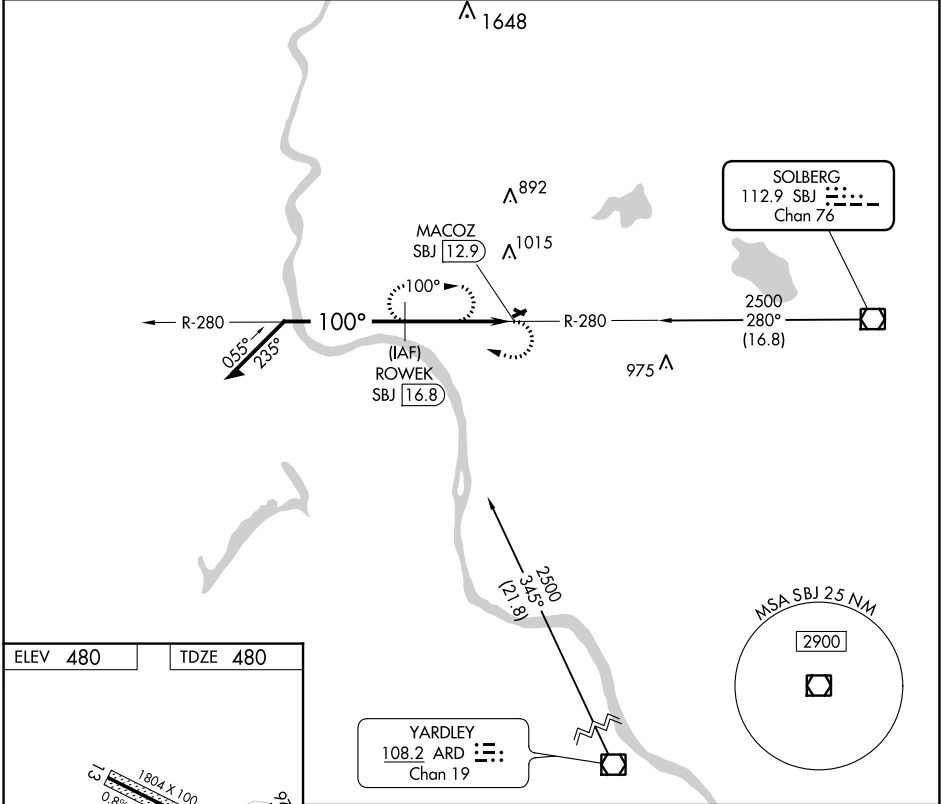
VOR/DME RWY 8

ALEXANDRIA (N85)

▼ Use Lehigh Valley Intl, Allentown, PA altimeter setting.
▲ NA Procedure NA at night.
 Helicopter visibility reduction below 1 SM NA.

MISSED APPROACH: Climbing right turn to 2500 on SBJ VOR/DME R-280 to ROWEK/16.8 DME and hold.

ALLENTOWN APP CON 119.65 124.45 351.8	UNICOM 122.975 (CTAF)	121.8 0
---	---------------------------------	-----------------------



CATEGORY	A	B	C	D
S-8	1420-1 940 (1000-1)		NA	
C CIRCLING	1420-1 940 (1000-1)		NA	

NE-2, 31 OCT 2024 to 28 NOV 2024

NE-2, 31 OCT 2024 to 28 NOV 2024