

WAAS CH 65899 W11A	APP CRS 114°	Rwy Idg TDZE Apt Elev	3601 6 6
--	------------------------	-----------------------------	-------------------------------------

RNAV (GPS) RWY 11

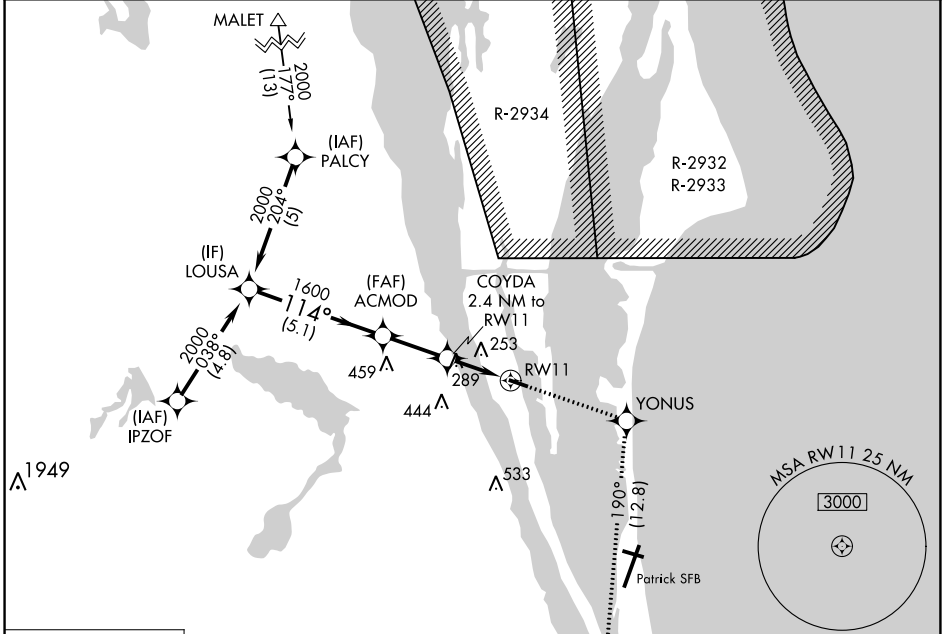
MERRITT ISLAND (COI)

RNP APCH.

NA Rwy 11 helicopter visibility reduction below 1 SM NA. When local altimeter setting not received, use Melbourne altimeter setting and increase LPV DA to 329 and all MDA 40 feet, increase LPV all Cats visibility 1/8 mile. Night landing: Rwy 11 NA.

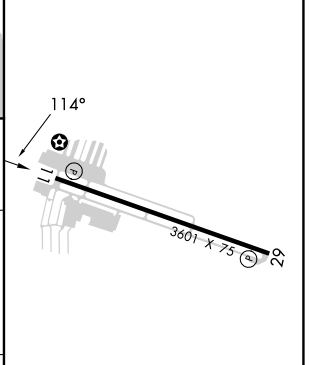
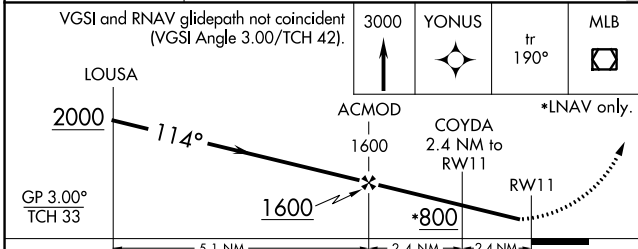
MISSED APPROACH: Climb to 3000 direct YONUS and on track 190° to MLB VOR/DME and hold.

AWOS-3 119.025	ORLANDO APP CON 134.95 281.425	UNICOM 122.975 (CTAF) 0
--------------------------	--	-----------------------------------



Procedure NA for arrivals on MLB VORTAC airway radials 276 CW 329.

ELEV 6	TDZE 6
--------	--------



CATEGORY	A	B	C	D
LPV DA	291-1	285 (300-1)		NA
RNAV MDA	600-1	594 (600-1)		NA
CIRCLING	600-1 594 (600-1)	620-1 614 (700-1)		NA

MIRL Rwy 11-29 0

SE-3, 31 OCT 2024 to 28 NOV 2024

SE-3, 31 OCT 2024 to 28 NOV 2024