

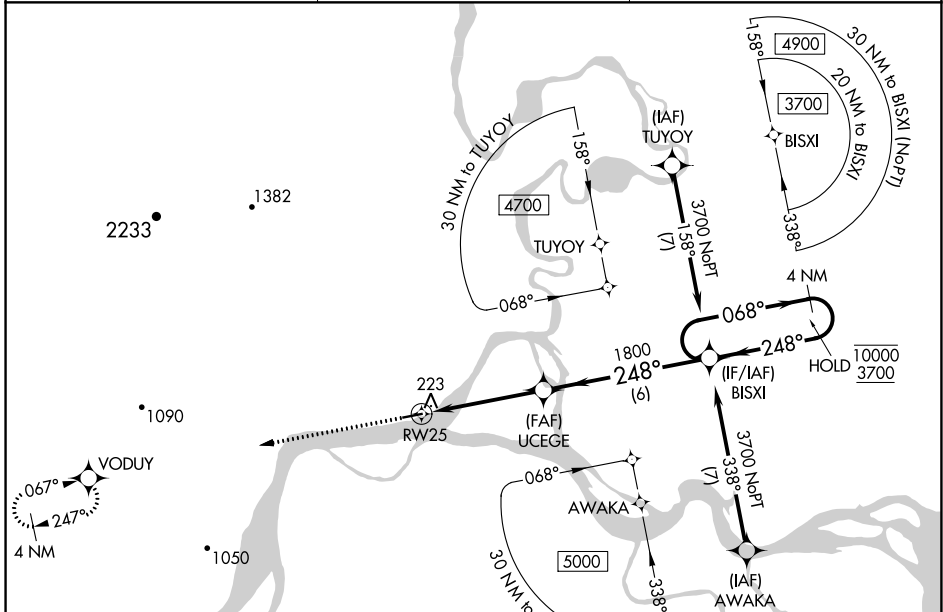
WAAS CH 99314 W25A	APP CRS 248°	Rwy Idg TDZE Apt Elev	4000 149 149
--	------------------------	-----------------------------	---

RNAV (GPS) RWY 25

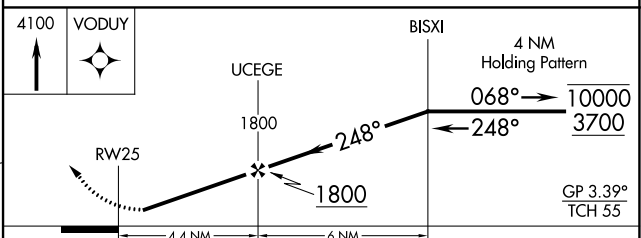
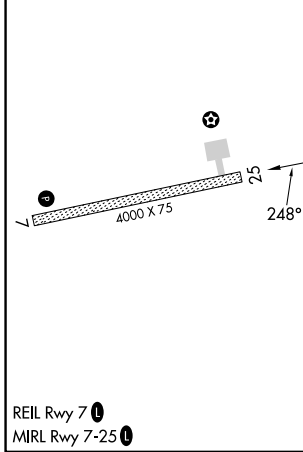
KOYUKUK (KYU) (PFKU)

RNP APCH-GPS.	<p>▼ Rwy 25 helicopter visibility reduction below 1 SM NA. Baro-VNAV NA.</p> <p>▲ NA Use Galena altimeter setting; when not received, procedure NA. Straight-in Rwy 25 NA at night, Circling Rwy 25 NA at night.</p> <p>☼ -48°C</p>	MISSED APPROACH: Climb to 4100 direct VODUY and hold, continue climb-in-hold to 4100.
---------------	---	---

GAL/PAGA AWOS-3P 132.525	ANCHORAGE CENTER 127.0 290.2	CTAF 122.9
------------------------------------	--	----------------------



ELEV 149	TDZE 149
----------	----------



CATEGORY	A	B	C	D
LPV DA		471-1 322 (400-1)		NA
LNAV/VNAV DA		471-1 322 (400-1)		NA
LNAV MDA	720-1	571 (600-1)	720-1½ 571 (600-1½)	NA
CIRCLING	720-1 571 (600-1)	900-1 751 (800-1)	1320-3 1171 (1200-3)	NA

AK, 31 OCT 2024 to 26 DEC 2024

AK, 31 OCT 2024 to 26 DEC 2024