

| | | | |
|-------------------------|------------------------|-----------------------------|---|
| VOR OLK 110.4 | APP CRS 114° | Rwy Idg TDZE Apt Elev | 2623 836 836 |
|-------------------------|------------------------|-----------------------------|---|

VOR RWY 13

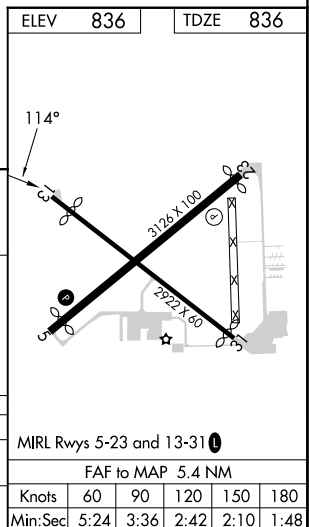
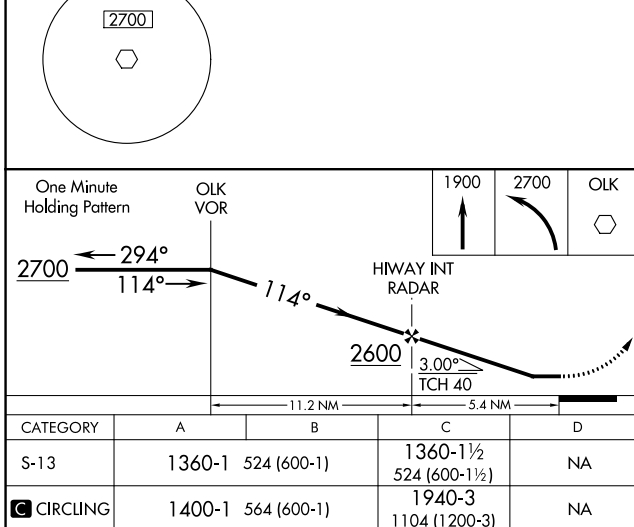
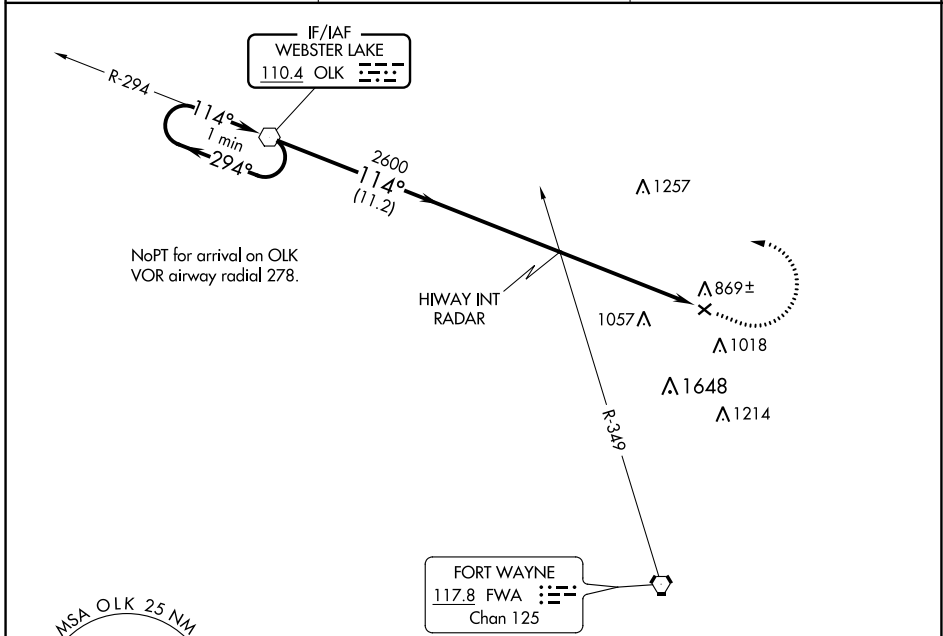
SMITH FLD (SMD)

⚠ NA
⚠ -22°C

Rwy 13 helicopter visibility reduction below 1 SM NA. Procedure NA at night. When local altimeter setting not received, use Fort Wayne Intl altimeter setting and increase all MDA 40 feet and S-13 Cat C visibility 1/8 SM.

MISSED APPROACH: Climb to 1900 then climbing left turn to 2700 direct OLK VOR and hold.

| | | |
|-------------------------|--|---------------------------------|
| AWOS-3 124.55 | FORT WAYNE APP CON 127.2 284.6 | UNICOM 122.8 (CTAF) 0 |
|-------------------------|--|---------------------------------|



EC-2, 28 NOV 2024 to 26 DEC 2024

EC-2, 28 NOV 2024 to 26 DEC 2024