

WAAS CH 65911 W26A	APP CRS 256°	Rwy Idg TDZE Apt Elev	5423 1871 1882
--	------------------------	-----------------------------	---

RNAV (GPS) RWY 26

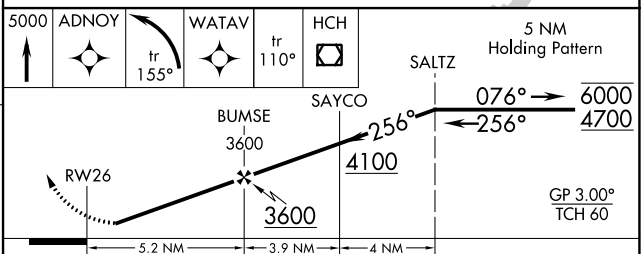
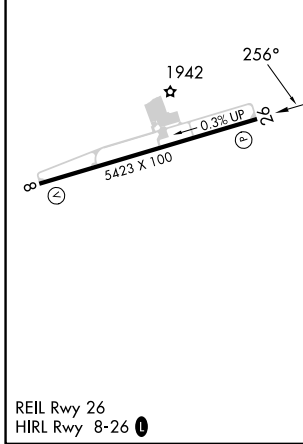
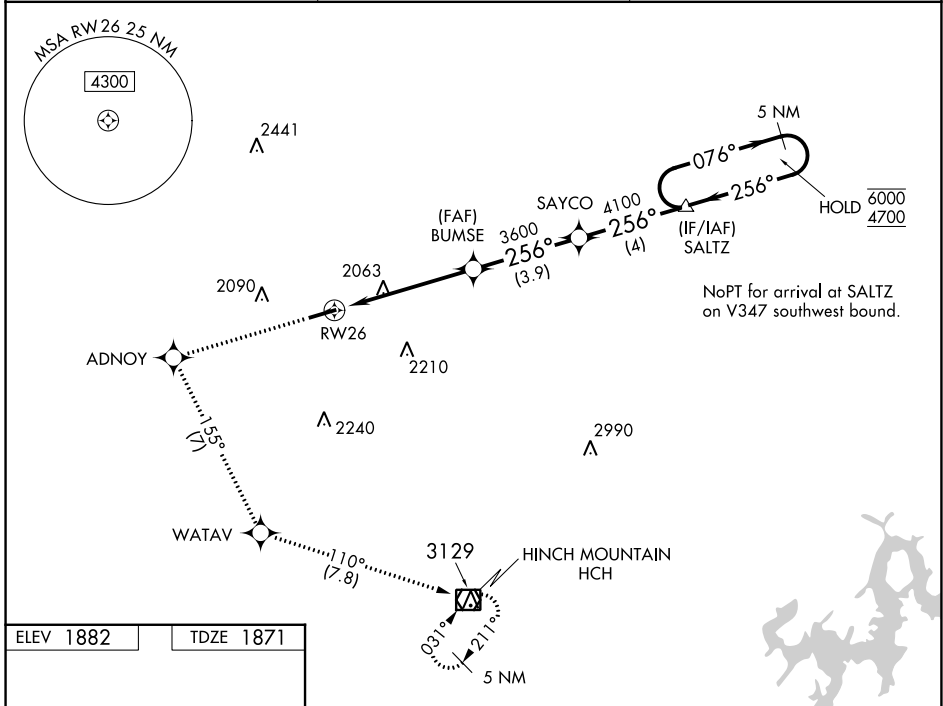
CROSSVILLE MEML-WHITSON FLD (CSV)

RNP APCH - GPS.

⚠ Procedure NA at night. Rwy 26 helicopter visibility reduction below 1 SM NA. For uncompensated Baro-VNAV systems, LNAV/VNAV NA below -18°C or above 54°C.

MISSED APPROACH: Climb to 5000 direct ADNOY and left turn on track 155° to WATAV and on track 110° to HCH VOR/DME and hold.

ASOS 120.625	ATLANTA CENTER 133.6 254.3	UNICOM 122.7 (CTAF) 0
------------------------	--------------------------------------	---------------------------------



CATEGORY	A	B	C	D
LPV DA	2121-1		250 (300-1)	
LNAV/VNAV DA	2170-1		299 (300-1)	
LNAV MDA	2440-1	569 (600-1)	2440-1 ⁵ / ₈	569 (600-1 ⁵ / ₈)
C CIRCLING	2440-1	558 (600-1)	2440-1 ⁵ / ₈ 558 (600-1 ⁵ / ₈)	2540-2 658 (700-2)

SE-1, 28 NOV 2024 to 26 DEC 2024

SE-1, 28 NOV 2024 to 26 DEC 2024