

WAAS CH <b>50209</b> <b>W11A</b>	APP CRS <b>109°</b>	Rwy Idg TDZE Apt Elev	<b>4300</b> <b>736</b> <b>737</b>
----------------------------------------	------------------------	-----------------------------	-----------------------------------------

# RNAV (GPS) RWY 11

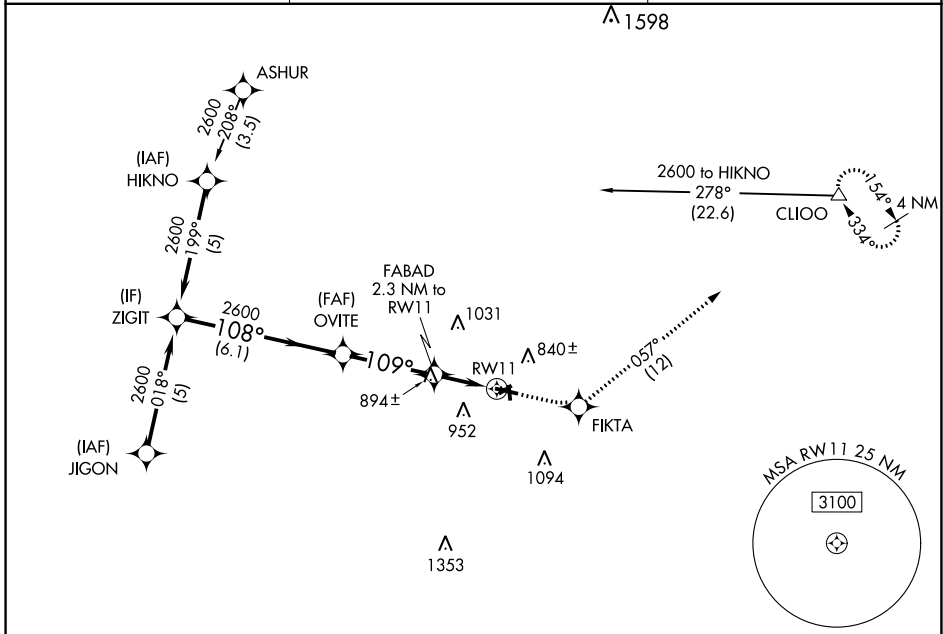
OWOSSO COMMUNITY (RNP)

RNP APCH.

**▼** Circling NA to Rwys 6, 18, 24, and 36. For uncompensated Baro-VNAV systems, LNAV/VNAV NA below -16°C (4°F) or above 54°C (130°F). Rwy 11 helicopter visibility reduction below ¾ SM NA.

**MISSED APPROACH:** Climb to 3000 direct FIKTA and on track 057° to CLIOO and hold.

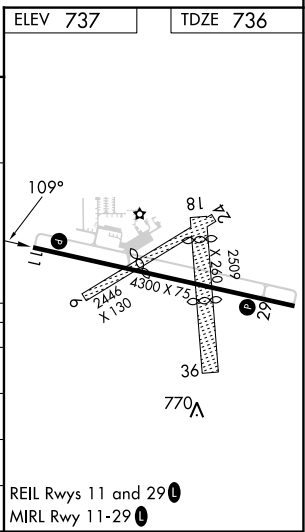
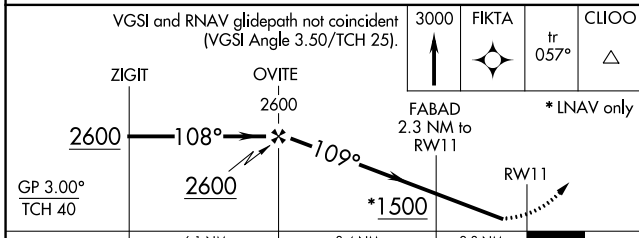
AWOS-3 <b>118.025</b>	GREAT LAKES APP CON * <b>128.55 257.9</b>	UNICOM <b>123.0 (CTAF) 0</b>
--------------------------	----------------------------------------------	---------------------------------



EC-1, 28 NOV 2024 to 26 DEC 2024

EC-1, 28 NOV 2024 to 26 DEC 2024

ELEV 737	TDZE 736
----------	----------



CATEGORY	A	B	C	D
LPV DA	1079-1¼	343 (400-1¼)		NA
LNAV/VNAV DA	1258-2	522 (600-2)		NA
LNAV MDA	1180-1	444 (500-1)	1180-1¼ 444 (500-1¼)	NA
<b>C</b> CIRCLING	1220-1 483 (500-1)	1260-1 523 (600-1)	1400-1¾ 663 (700-1¾)	NA

REIL Rwys 11 and 29 **0**  
MIRL Rwy 11-29 **0**