

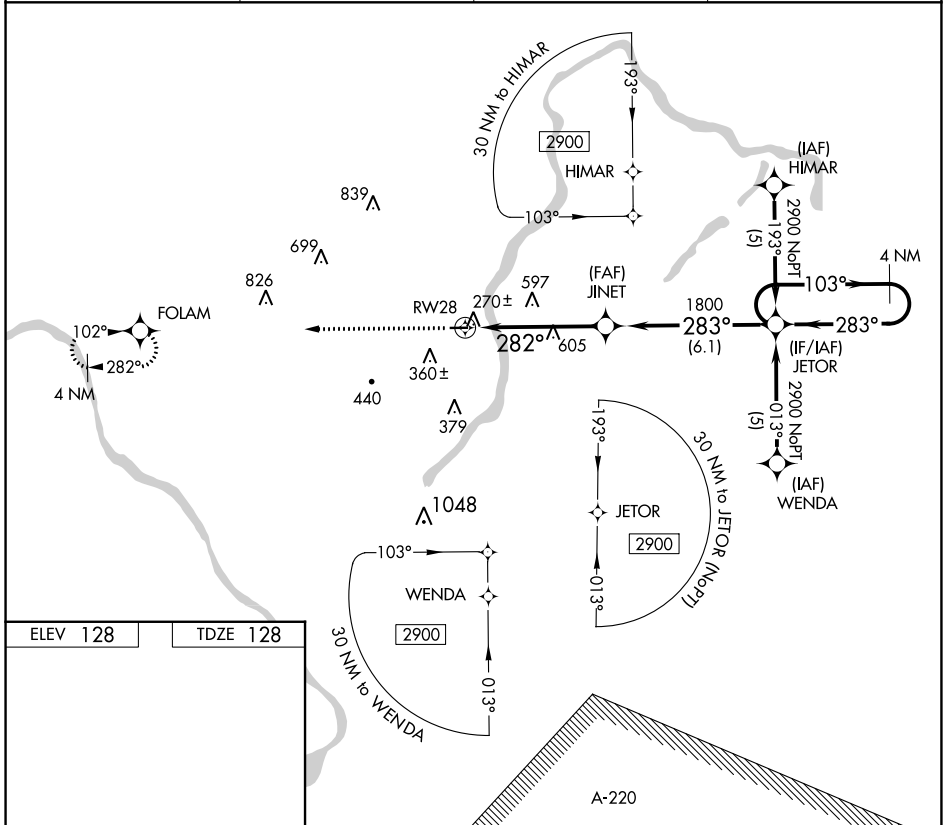
RNAV (GPS) RWY 28

PRINCETON (39N)

APP CRS 282°	Rwy Idg TDZE Apt Elev	3130 128 128
------------------------	-----------------------------	---

RNP APCH.	<p>▼ Use Trenton Mercer altimeter setting, if not received use Somerset altimeter setting. Procedure NA at night. Rwy 28 helicopter visibility reduction below 1 SM NA.</p> <p>▲ NA</p>	MISSED APPROACH: Climb to 2700 direct FOLAM and hold.
-----------	---	---

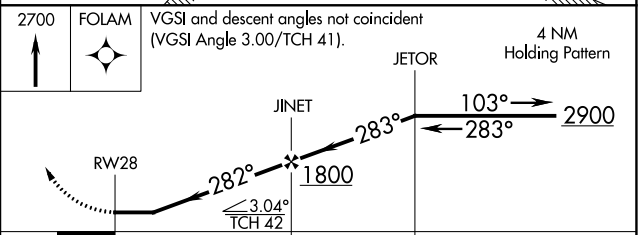
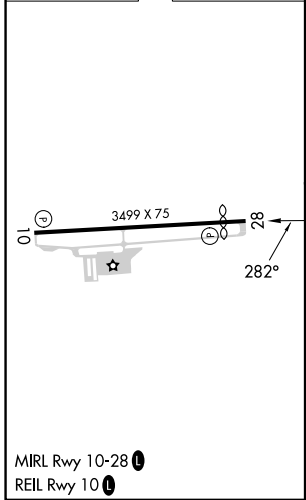
TTN ASOS 126.775	NEWARK APP CON 132.8 379.9	UNICOM 122.725 (CTAF)	123.05
----------------------------	--------------------------------------	---------------------------------	---------------



NE-2, 28 NOV 2024 to 26 DEC 2024

NE-2, 28 NOV 2024 to 26 DEC 2024

ELEV 128	TDZE 128
----------	----------



CATEGORY	A	B	C	D
RNAV MDA	900-1	900-1¼	900-2¼	NA
LNVA MDA	772 (800-1)	772 (800-1¼)	772 (800-2¼)	NA