

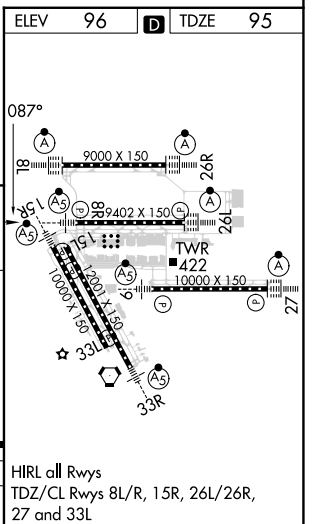
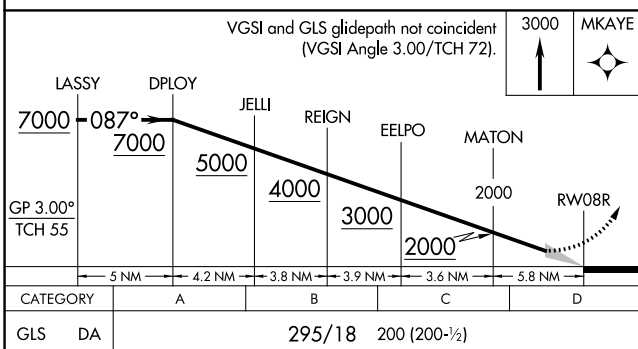
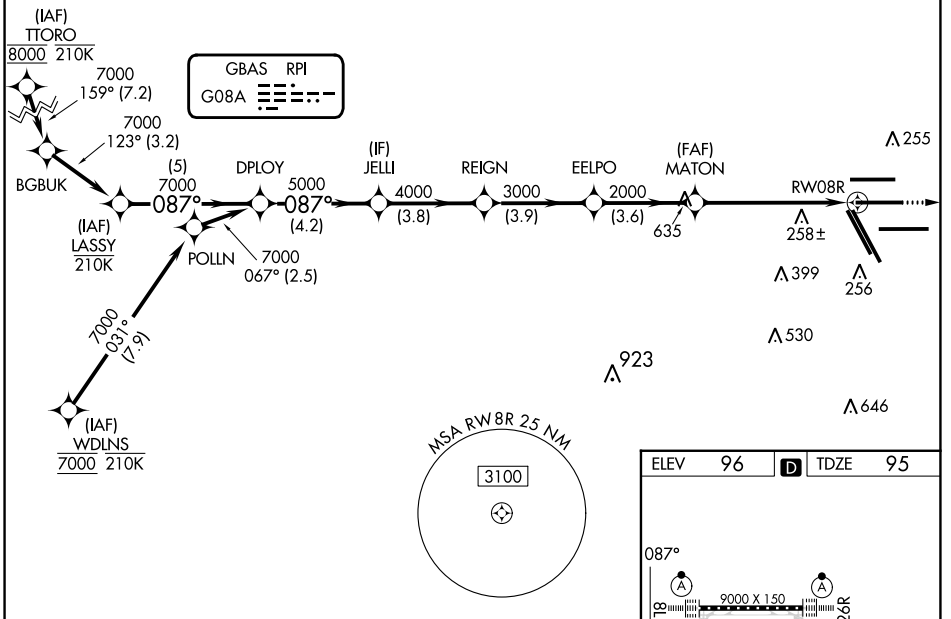
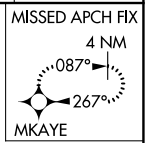
GBAS CH 20251 G08A	APP CRS 087°	Rwy Idg TDZE Apt Elev	9402 95 96
--	------------------------	-----------------------------	---------------------------------------

GLS RWY 8R

GEORGE BUSH INTCNL/HOUSTON (IAH)

RNP APCH - GPS.		MALSRL 	MISSED APPROACH: Climb to 3000 direct MKAYE and hold.		
Simultaneous approach authorized. Use of FD or AP required during simultaneous operations.	NA Autopilot coupled approach NA below 295.				

D-ATIS 124.05	HOUSTON APP CON 120.05 379.1 EAST 124.35 316.15 WEST	HOUSTON TOWER 125.35 290.2	GND CON 118.575	CLNC DEL 128.1	CPDLC
-------------------------	--	--------------------------------------	---------------------------	--------------------------	-------



SC-5, 28 NOV 2024 to 26 DEC 2024

SC-5, 28 NOV 2024 to 26 DEC 2024