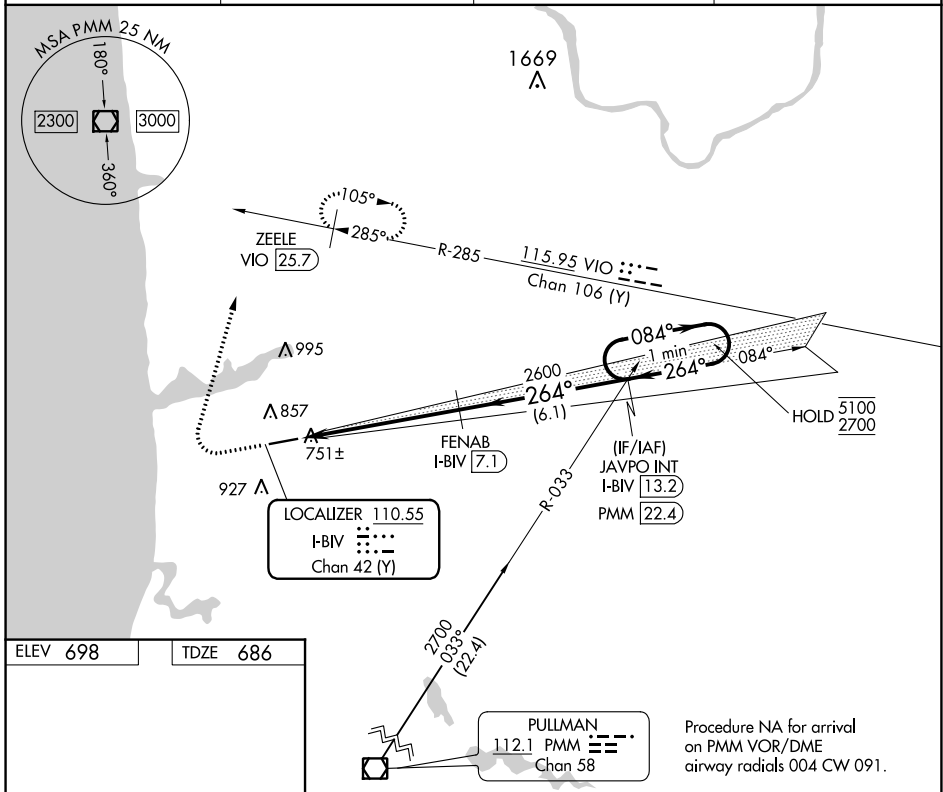


LOC/DME I-BIV 110.55 Chan 42 (Y)	APP CRS 264°	Rwy Idg TDZE Apt Elev	6002 686 698
-----------------------------------------------	------------------------	-----------------------------	-----------------------------------------

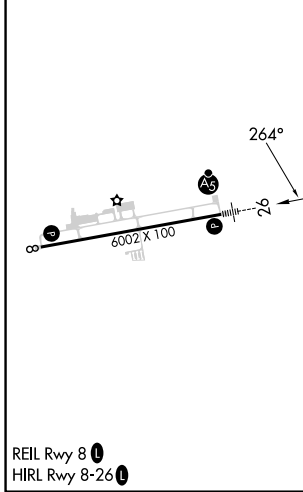
ILS or LOC RWY 26

WEST MICHIGAN RGNL (BIV)

DME required. ▲ NA		MALSRL ▲ 65	MISSED APPROACH: Climb to 1500 then climbing right turn to 2600 on heading 020° and VIO VOR/DME R-285 to ZEELE/VIO 25.7 DME and hold.	
ASOS 119.025	GREAT LAKES APP CON* 133.825 290.35	CLNC DEL 123.95	UNICOM 123.05 (CTAF) 0	



ELEV 698	TDZE 686
----------	----------



1500	2600	ZEELE VIO R-285 25.7	FENAB I-BIV 7.1	JAVPO INT I-BIV 13.2	One Minute Holding Pattern
*LOC only		*I-BIV 2.1	2600	2600	5100/2700
0.9 NM		5 NM		6.1 NM	
CATEGORY	A	B	C	D	
S-ILS 26	886-1/2 200 (200-1/2)		NA		
S-LOC 26	1020-1/2 334 (400-1/2)		NA		
CIRCLING	1200-1 502 (600-1)	1240-1 542 (600-1)	1240-1 1/2 542 (600-1 1/2)	NA	

GS 3.00° TCH 32

EC-1, 28 NOV 2024 to 26 DEC 2024

EC-1, 28 NOV 2024 to 26 DEC 2024