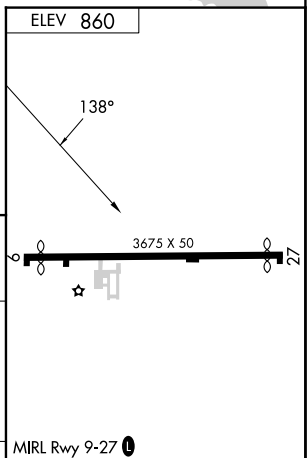
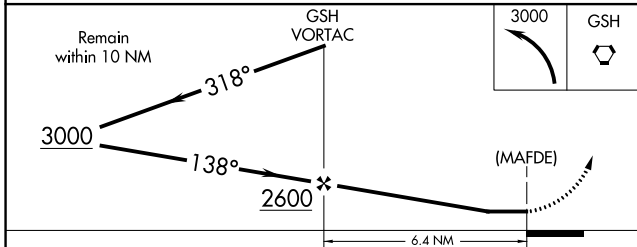
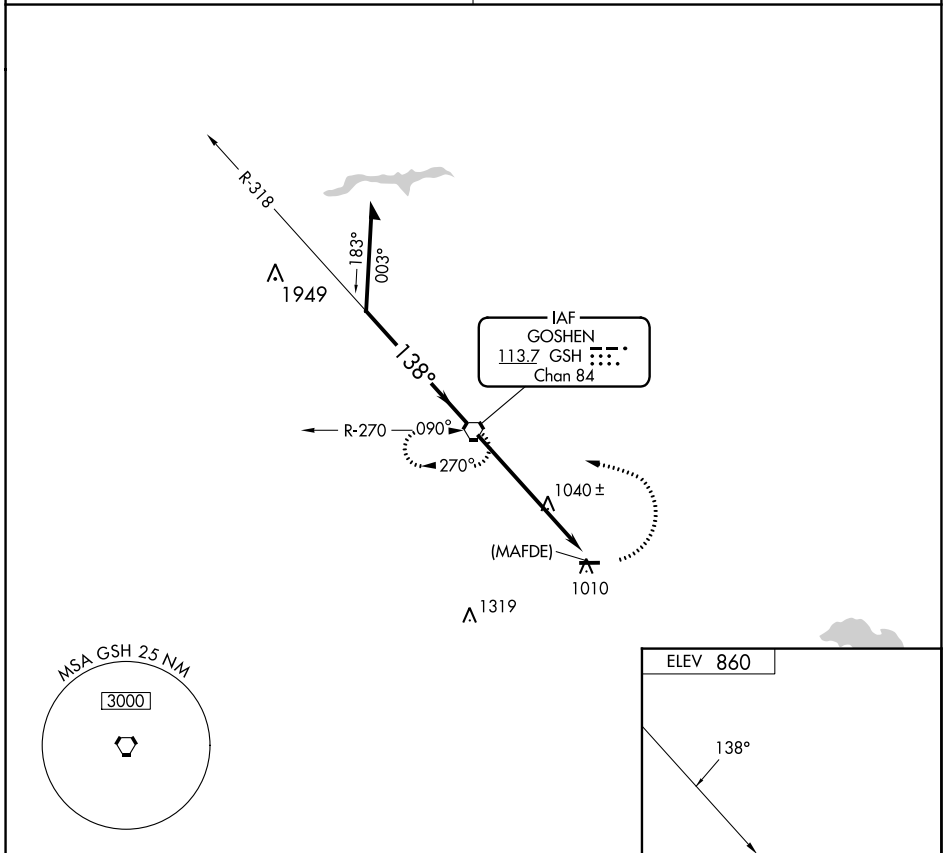


VORTAC GSH 113.7 Chan 84	APP CRS 138°	Rwy Idg TDZE Apt Elev	N/A N/A 860
--	------------------------	-----------------------------	--

VOR or GPS-B
NAPPANEE MUNI (C03)

<p>▼ Use South Bend altimeter setting.</p> <p>▲ NA</p>	<p>MISSED APPROACH: Climbing left turn to 3000 direct GSH VORTAC and hold.</p>
<p>SOUTH BEND APP CON *</p> <p>132.05 257.8</p>	<p>UNICOM</p> <p>123.0 (CTAF) 0</p>



CATEGORY	A	B	C	D	FAF to MAP 6.4 NM					
CIRCLING	1420-1	560 (600-1)	NA		Knots	60	90	120	150	180
					Min:Sec	6:24	4:16	3:12	2:34	2:08

EC-2, 28 NOV 2024 to 26 DEC 2024

EC-2, 28 NOV 2024 to 26 DEC 2024