

APP CRS 273°	Rwy Idg 4850
	TDZE 778
	Apt Elev 790

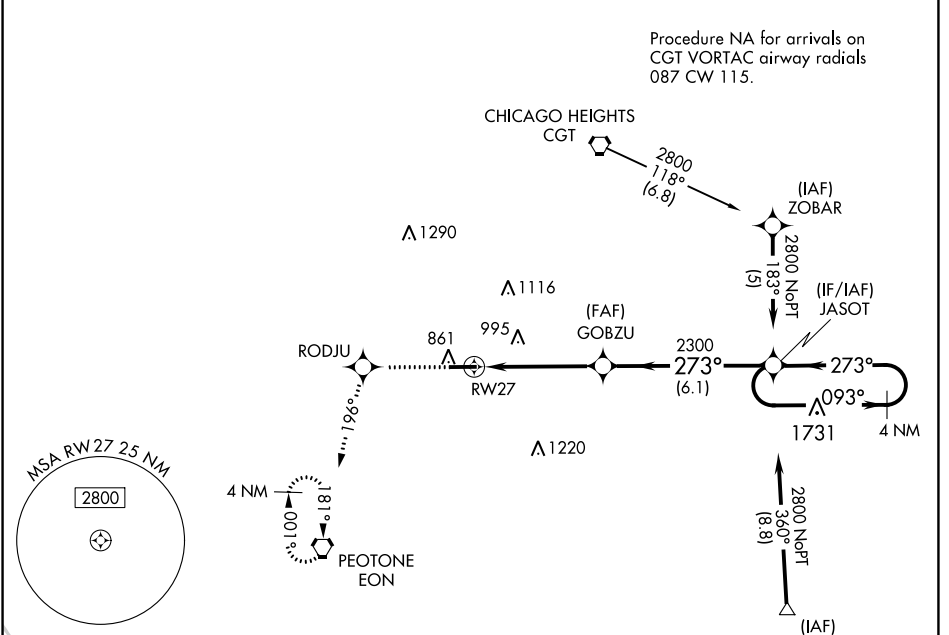
RNAV (GPS) RWY 27

BULT FLD (C56)

NA DME/DME RNP-0.3 NA. Visibility reduction by helicopters NA. Use Lansing Muni altimeter setting, when not received, use Chicago Midway Intl altimeter setting and increase all MDA 40 feet. Procedure NA at night.

MISSED APPROACH: Climb to 2600 direct RODJU and via 196° track to EON VORTAC and hold.

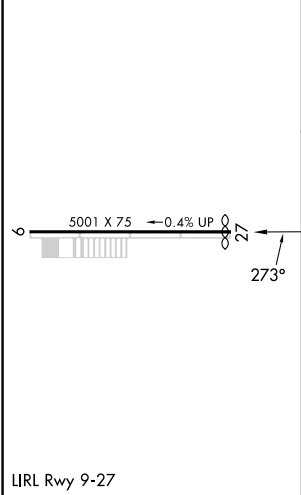
AWOS-AV 119.125	IGQ AWOS-3PT 124.925	CHICAGO CENTER 132.5 284.7	UNICOM 123.0 (CTAF)
---------------------------	--------------------------------	--------------------------------------	-------------------------------



EC-3, 28 NOV 2024 to 26 DEC 2024

EC-3, 28 NOV 2024 to 26 DEC 2024

ELEV 790	TDZE 778
----------	----------



2600	RODJU	tr 196°	EON	4 NM Holding Pattern
				JASOT
RW27		GOBZU	JASOT	2800
4.6 NM		6.1 NM	093°	
3.04°		TCH 40	273°	

CATEGORY	A	B	C	D
LNAV MDA	1320-1	542 (600-1)	1320-1½ 542 (600-1½)	NA
CIRCLING	1320-1 530 (600-1)	1400-1 610 (700-1)	1400-1¾ 610 (700-1¾)	NA