

CARO, MICHIGAN

AL-6375 (FAA)

24249

VOR/DME MBS 114.35 Chan 90(Y)	APP CRS 102°	Rwy Idg TDZE Apt Elev	N/A N/A 704
---	------------------------	-----------------------------	--

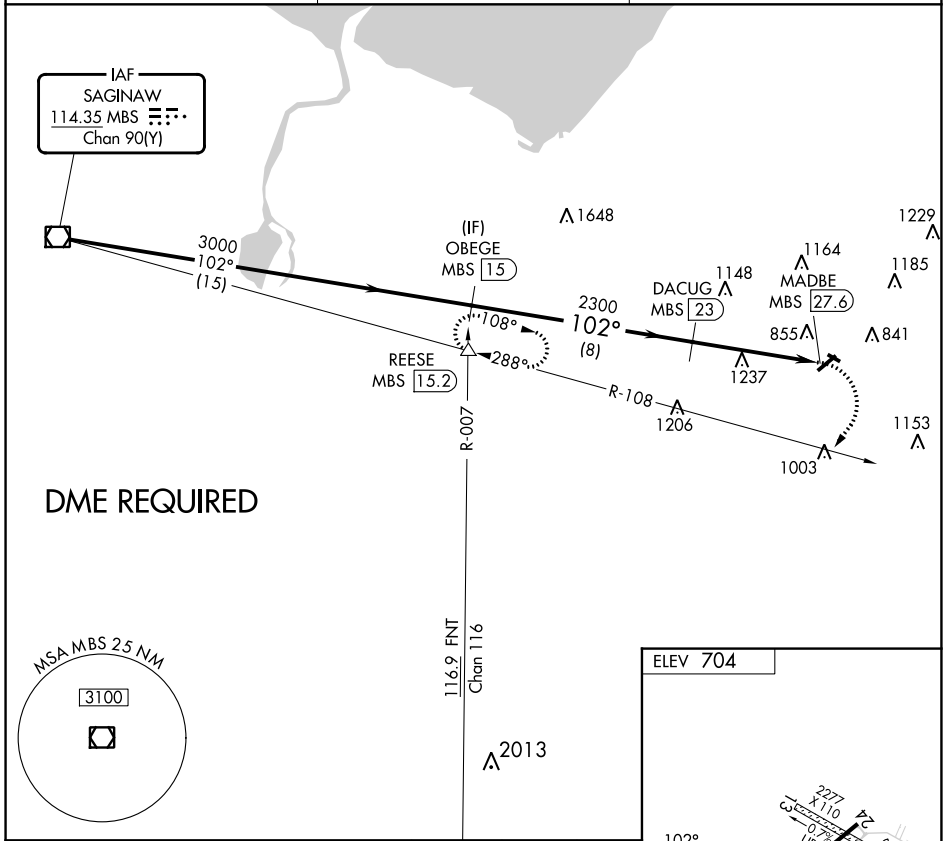
VOR-A

TUSCOLA AREA (CFS)

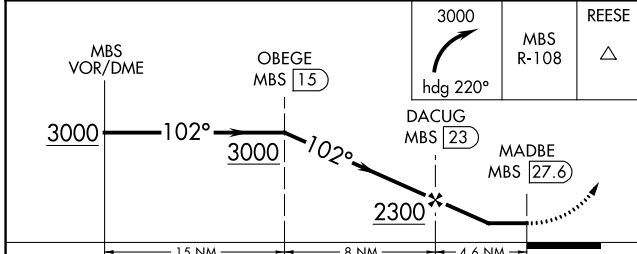
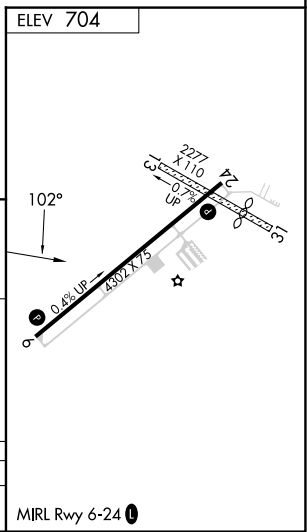
⚠ Circling NA to Rwy 13 and 31. DME required. Procedure NA at night.

MISSED APPROACH: Climbing right turn to 3000 on heading 220° and on MBS VOR/DME R-108 to REESE INT/15.2 DME and hold.

AWOS-3 119.275	GREAT LAKES APP CON ★ 120.95 235.625	UNICOM 123.0 (CTAF) ①
--------------------------	--	---------------------------------



DME REQUIRED



CATEGORY	A	B	C	D
ⓐ CIRCLING	1240-1	536 (600-1)	1240-1½ 536 (600-1½)	NA

CARO, MICHIGAN
Amdt 7 24MAY18

43°28'N-83°27'W

TUSCOLA AREA (CFS)

VOR-A

EC-1, 28 NOV 2024 to 26 DEC 2024

EC-1, 28 NOV 2024 to 26 DEC 2024