

LOC/DME I-JVW 108.55 Chan 22(Y)	APP CRS 124°	Rwy Idg 5499 TDZE 241 Apt Elev 247
--	------------------------	---

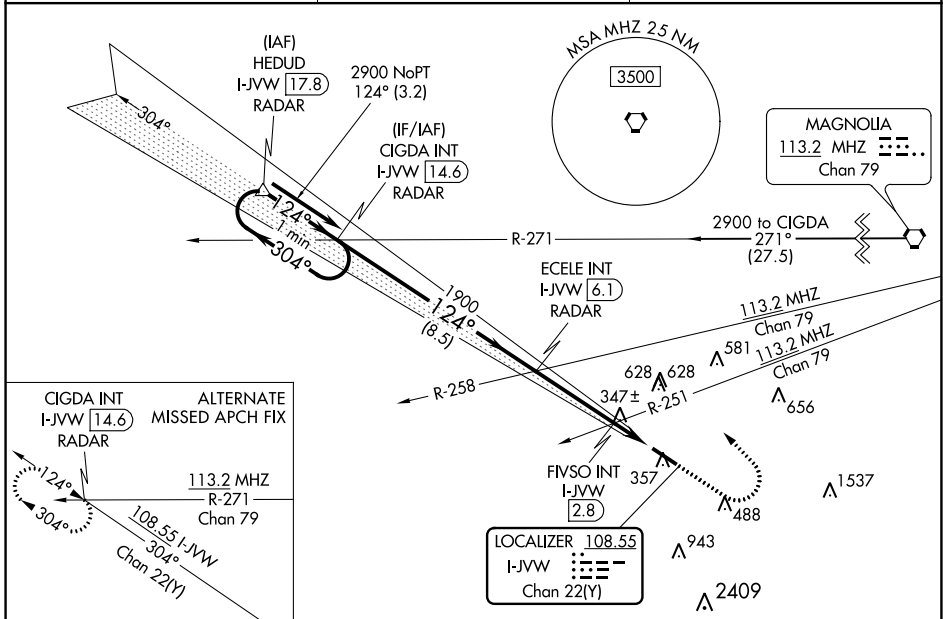
ILS or LOC RWY 12

JOHN BELL WILLIAMS (JVW)

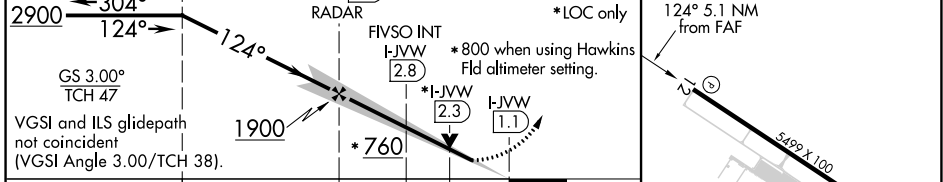
▼ VDP NA with Hawkins fld altimeter setting. Circling NA for Cat D southwest of Rwy 12-30.
▲ When local altimeter setting not received, use Hawkins fld altimeter setting: increase all DA 36 feet, all MDA 40 feet, S-LOC 12 Cat C and D visibilities ¼ mile, and Circling Cat C and D visibilities ¼ mile, increase FIVSO fix minimums S-LOC 12 Cat C and D visibilities ¼ mile and Circling Cat C and D visibilities ¼ mile.

MISSED APPROACH: Climb to 800 then climbing left turn to 2900 on heading 316° and on MHz VORTAC R-271 to CIGDA INT/I-JVW 14.6 DME and hold.

AWOS-3PT 118.675	JACKSON APP CON ★ 125.25 319.2	UNICOM 123.0 (CTAF)
----------------------------	--	-------------------------------



One Minute Holding Pattern CIGDA INT I-JVW 14.6 RADAR	ECELE INT I-JVW 6.1 RADAR	800	2900	hdg 316°	MHZ R-271	CIGDA INT	ELEV 247	TDZE 241
--	---------------------------	-----	------	----------	-----------	-----------	----------	----------



CATEGORY	A	B	C	D
S-ILS 12	441- ³ / ₄ 200 (200- ³ / ₄)			
S-LOC 12	760-1	519 (600-1)	760- ¹ / ₈	519 (600- ¹ / ₈)
C CIRCLING	800-1	553 (600-1)	733 (800-2)	733 (800-2 ¼)
FIVSO FIX MINIMUMS (DUAL VOR RECEIVERS OR DME REQUIRED)				
S-LOC 12	660-1	419 (500-1)	660- ¹ / ₈	419 (500- ¹ / ₈)
C CIRCLING	800-1	553 (600-1)	980-2	980-2 ¼
			733 (800-2)	733 (800-2 ¼)

MIRL Rwy 12-30
REIL Rwy 12 and 30

FAF to MAP 5.1 NM

Knots	60	90	120	150	180
Min:Sec	5:06	3:24	2:33	2:02	1:42

SC-4, 28 NOV 2024 to 26 DEC 2024

SC-4, 28 NOV 2024 to 26 DEC 2024