

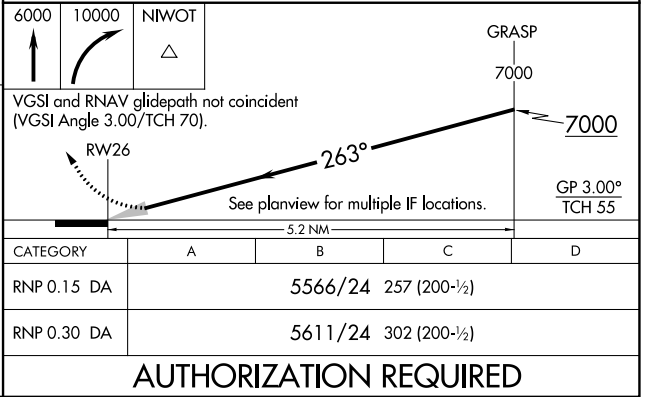
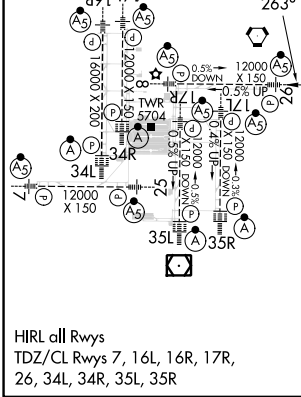
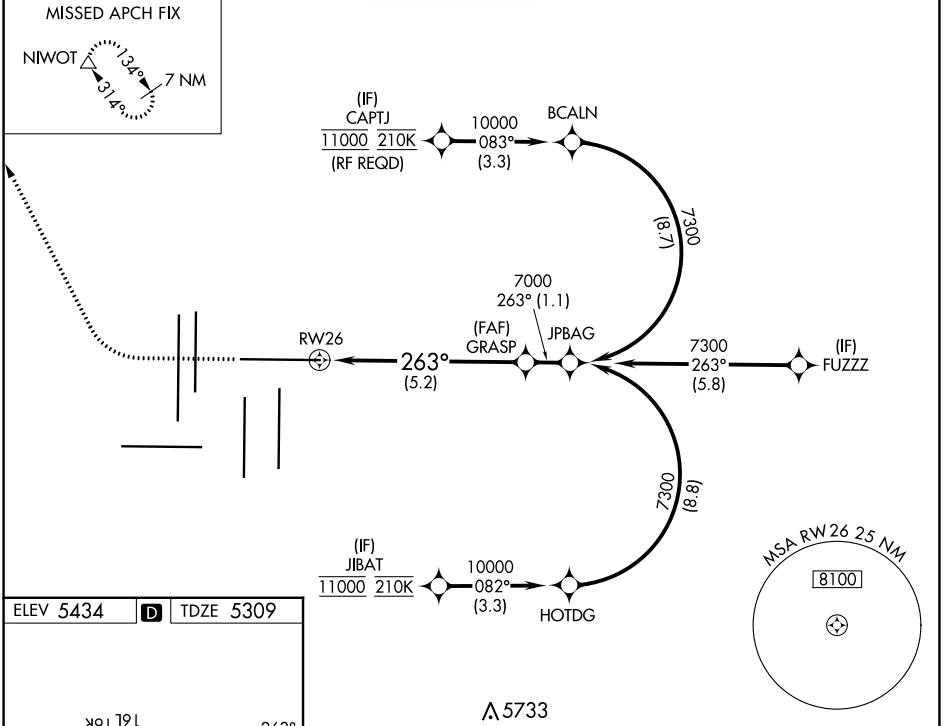
APP CRS	Rwy Idg	12000
263°	TDZE	5309
	Apt Elev	5434

RNAV (RNP) Z RWY 26

DENVER INTL (DEN)

RNP AR APCH.	MALSR	MISSED APPROACH: Climb to 6000 then climbing right turn to 10000 direct NIWOT and hold.
<p>Simultaneous approach authorized. For uncompensated Baro-VNAV systems, procedure NA below -23°C or above 54°C. For inop ALS, increase RNP 0.15 all Cats visibility to RVR 4000, and increase RNP 0.30 all Cats visibility to RVR 4500.</p>		

D-ATIS 125.6 379.9 (ARR) 134.025 (DEP)	DENVER APP CON 119.3 307.3 (N) 120.35 379.3 (S)	DENVER TOWER 132.35 239.275	GND CON 121.35 379.175 (W) 121.85 377.1 (E)	CLNC DEL 118.75	CPDLC
--	---	---------------------------------------	---	---------------------------	-------



SW-1, 28 NOV 2024 to 26 DEC 2024

SW-1, 28 NOV 2024 to 26 DEC 2024