

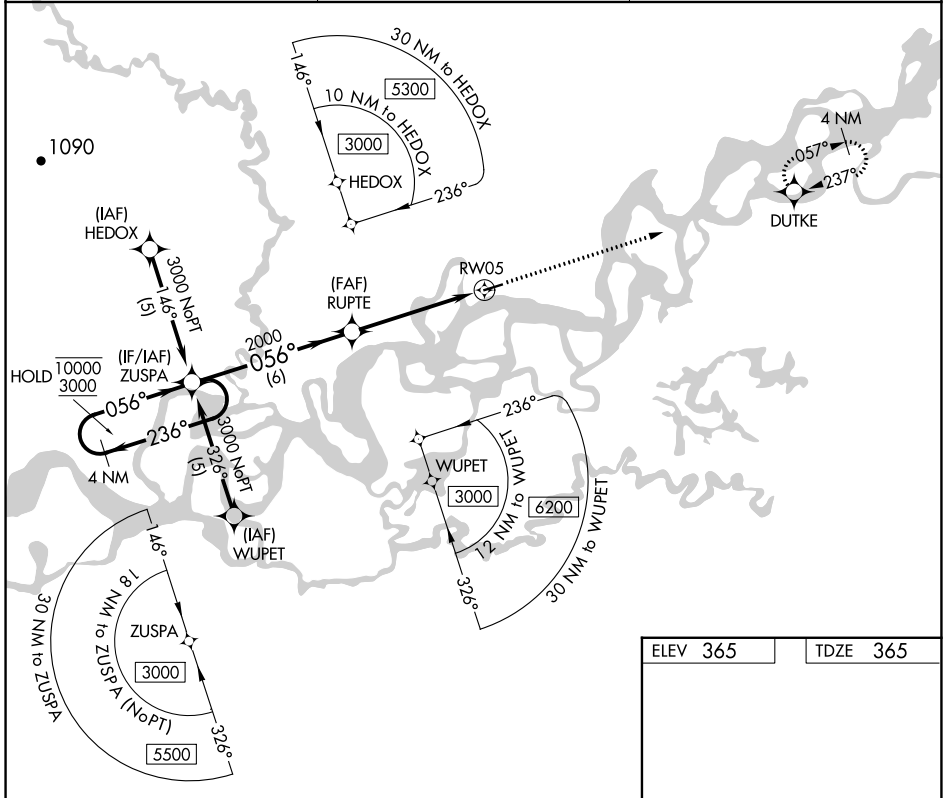
APP CRS	Rwy Idg	3934
056°	TDZE	365
	Apt Elev	365

RNAV (GPS) RWY 5

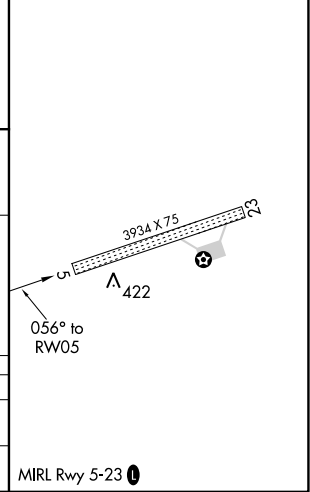
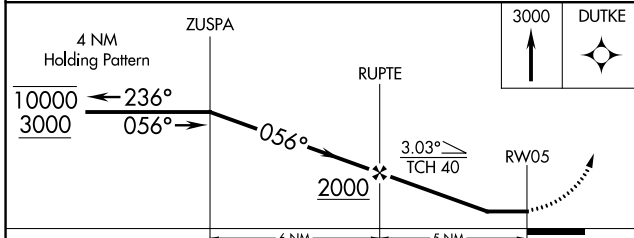
BEAVER (WBQ)(PAWB)

RNP APCH-GPS.	MISSED APPROACH: Climb to 3000 direct DUTKE and hold.
<p>V Rwy 5 helicopter visibility reduction below 3/4 SM NA.</p> <p>Δ NA Use Fort Yukon altimeter setting.</p>	

FYU/PFYU AWOS-3P 125.8	FAIRBANKS RADIO 122.05 122.15	CTAF 122.9 0
----------------------------------	---	------------------------



ELEV 365	TDZE 365
----------	----------



CATEGORY	A	B	C	D
LNVA MDA	940-1	575 (600-1)	940-1 3/8 575 (600-1 3/8)	NA
C CIRCLING	940-1	575 (600-1)	940-1 1/2 575 (600-1 1/2)	NA

AK, 31 OCT 2024 to 26 DEC 2024

AK, 31 OCT 2024 to 26 DEC 2024