

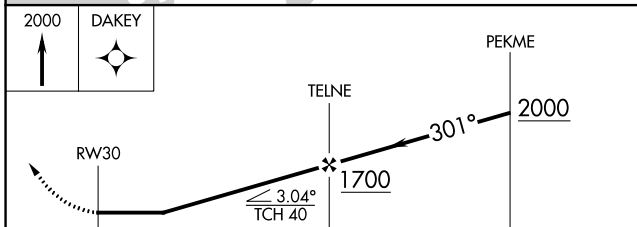
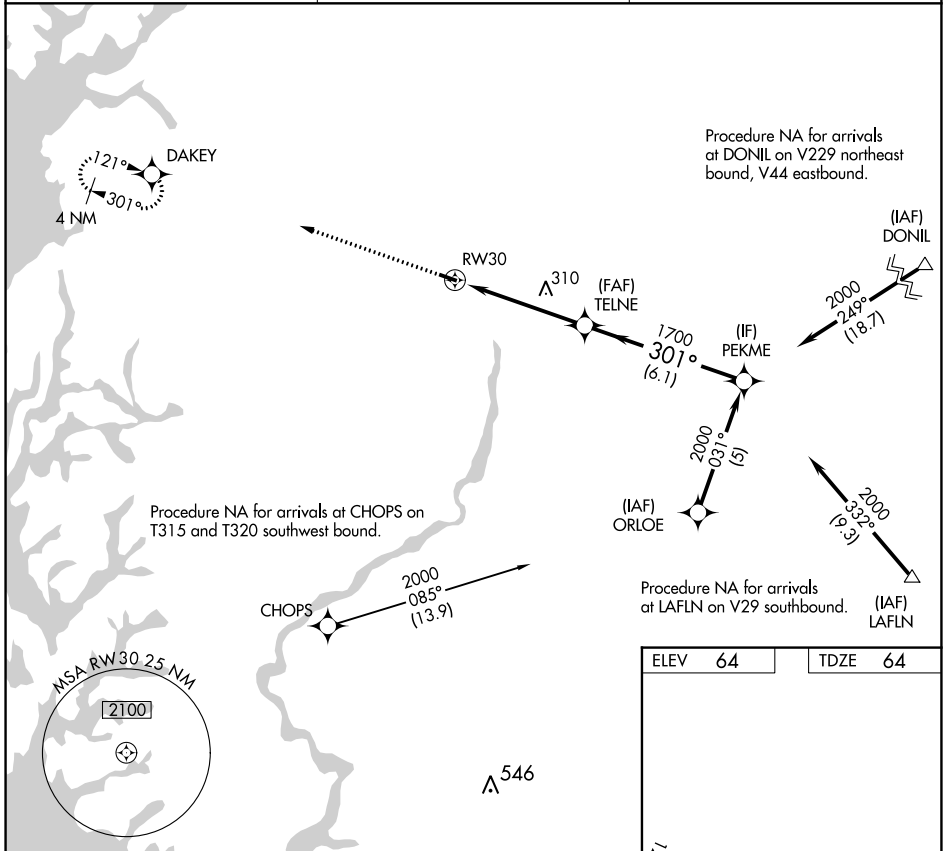
APP CRS	Rwy Idg	3214
301°	TDZE	64
	Apt Elev	64

RNAV (GPS) RWY 30

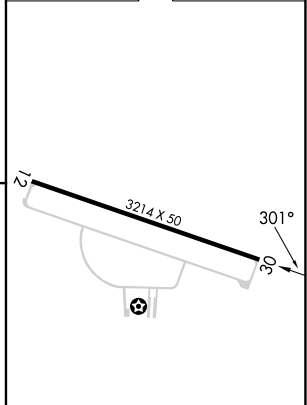
GOODEN AIRPARK (RJD)

RNP APCH - GPS.	MISSED APPROACH: Climb to 2000 direct DAKEY and hold.
▼ Procedure NA at night. Use Easton altimeter setting; when not received, procedure NA. Rwy 30 helicopter visibility reduction below 1 SM NA.	

ESN AWOS-3PT 124.475	DOVER APP CON 132.425 257.875	UNICOM 122.8 (CTAF)
--------------------------------	---	-------------------------------



ELEV 64	TDZE 64
---------	---------



CATEGORY	A	B	C	D
LNAV MDA	660-1	596 (600-1)		NA
CIRCLING	660-1	596 (600-1)		NA

LIRL Rwy 12-30	●
REIL Rwy 12 and 30	●

NE-3, 28 NOV 2024 to 26 DEC 2024

NE-3, 28 NOV 2024 to 26 DEC 2024