

ROCHELLE MUNI/KORITZ FLD (RPJ)(KRPJ) 2 S UTC-6(-5DT) N41°53.56' W89°04.78'

CHICAGO

781 B NOTAM FILE RPJ

L-28H

RWY 07-25: H5001X75 (ASPH-GRVD) S-15 MIRL

IAP

RWY 07: REIL. PAPI(P4L)—GA 3.0° TCH 22'.

RWY 25: REIL. PAPI(P4L)—GA 4.0° TCH 28'. Road.

SERVICE: FUEL 100LL, JET A LGT Actvt REIL Rwy 07 and 25; PAPI Rwy 07 and 25—CTAF. MIRL Rwy 07-25; incr instt—CTAF.

AIRPORT REMARKS: Attended 1400-2230Z†. Parachute Jumping. Paja and birds on and in/ov arpt. Rwy 25 calm wind rwy.

AIRPORT MANAGER: 815-562-8619

WEATHER DATA SOURCES: AWOS-3 125.2 (815) 562-2955.

COMMUNICATIONS: CTAF/UNICOM 122.975

POLO RCO 111.2T (KANKAKEE RADIO)

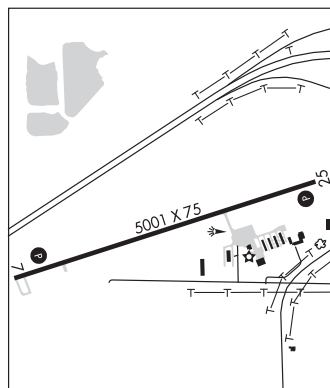
Ⓡ ROCKFORD APP/DEP CON 126.0

CLEARANCE DELIVERY PHONE: For CD ctc Chicago ARTCC at 630-906-8921.

RAIDO AIDS TO NAVIGATION: NOTAM FILE IKK.

POLO (L) DME 113.75 PLL Chan 84(Y) N41°57.94'

W89°31.45' 102° 20.4 NM to fld. 843.

**ROCK ISLAND****CORPORAL JASON G PAUTSCH HELIPORT** (I26) 1 NE UTC-6(-5DT) N41°30.60' W90°33.47'

CHICAGO

571 TPA—See Remarks Not insp.

HELIPAD H1: H60X60 (CONC-GRVL)

HELIPAD H2: H100X100 (CONC)

AIRPORT MANAGER: 719-582-4081

ROCKFORD**COTTONWOOD** (1C8) 2 NW UTC-6(-5DT) N42°17.50' W89°08.17'

CHICAGO

741 TPA—See Remarks NOTAM FILE IKK

RWY 18-36: 2540X260 (TURF) LIRL(NSTD)

RWY 18: Rgt ttc.

RWY 36: Thld dsplcd 400'. Road.

SERVICE: LGT Rwy 18-36 NSTD LIRL south 2250' lgtd; variable ints and non-frangible mounts.

AIRPORT REMARKS: Unattended. Airframe minor repairs avbl on req. Seasonal crops in Rwy 18 part 77 sfc 130' from rwy end.

TPA—1041(300) for ultralights, 1541(800) single engine. Rwy 36 dsplcd thld marked with white barrels and lgts.

AIRPORT MANAGER: 779-771-1192

COMMUNICATIONS: CTAF/UNICOM 122.8

CLEARANCE DELIVERY PHONE: For CD ctc Chicago ARTCC at 630-906-8921.

ROCKFORD N42°13.53' W89°11.96' NOTAM FILE RFD.

CHICAGO

(L) DME 110.8 RFD Chan 45 868.

L-28H

RCO 122.5 (KANKAKEE RADIO)

RUSHVILLE**SCHUY-RUSH** (5K4) 1 W UTC-6(-5DT) N40°07.05' W90°35.42'

CHICAGO

665 NOTAM FILE STL

RWY 09-27: 3565X100 (TURF) LIRL(NSTD)

RWY 09: Thld dsplcd 305'. Road.

RWY 27: Thld dsplcd 463'. Trees.

SERVICE: LGT Actvt LIRL Rwy 09-27—CTAF. Rwy 09-27 NSTD LIRL due to spacing. Rwy 09 first 305' unlgtd, Rwy 27 first 313' unlgtd.

AIRPORT REMARKS: Unattended. Rwy 09-27 dthr marked with white rubber mats at both ends of rwy.

AIRPORT MANAGER: 224-232-7819

COMMUNICATIONS: CTAF/UNICOM 123.0

CLEARANCE DELIVERY PHONE: For CD ctc Kansas City ARTCC at 913-254-8508.

ST LOUIS DOWNTOWN (See CAHOKIA/ST LOUIS on page 35)**ST LOUIS RGNL** (See ALTON/ST LOUIS on page 32)