

ABERDEEN MUNI (U36) 2 SW UTC-7(-6DT) N42°55.27' W112°52.85'

SALT LAKE CITY

4474 B NOTAM FILE BOI

L-11C

RWY 07-25: H3690X50 (ASPH) MIRL 0.8% up W**RWY 07:** Thld dsplcd 142'. Road.**RWY 25:** Thld dsplcd 512'. Fence.**RUNWAY DECLARED DISTANCE INFORMATION****RWY 07:** TORA-3690 TODA-3690 ASDA-3466 LDA-3324**RWY 25:** TORA-3458 TODA-3458 ASDA-3624 LDA-3112**SERVICE:** LGT ACTIVATE MIRL Rwy 07-25-CTAF.**AIRPORT REMARKS:** Attended Jan-Dec, Mon-Sun dalgt hrs. Considerable agriculture ops during growing season. Irregular winter maintenance. +30' sprinkler and terrain at 230' from southwest end of rwy may be in position.**AIRPORT MANAGER:** 208-244-1885**COMMUNICATIONS:** CTAF 122.9**CLEARANCE DELIVERY PHONE:** For CD ctc Salt Lake ARTCC at 801-320-2568.**RADIO AIDS TO NAVIGATION:** NOTAM FILE PIH.**POCATELLO (H) (H) VORW/DME** 112.6 PIH Chan 73 N42°52.22'

W112°39.13' 270° 10.5 NM to fld. 4433/17E.

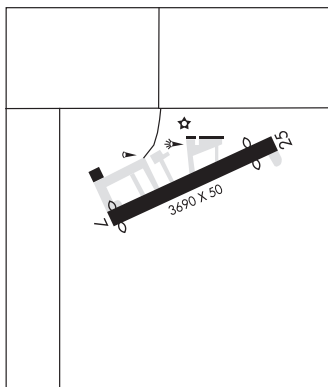
VOR unusable:

107°-120° byd 25 NM blo 17,000'

DME unusable:

060°-125° byd 25 NM blo 17,000'

165°-175° byd 35 NM blo 13,000'

**ALLEN H TIGERT** (See SODA SPRINGS on page 86)**AMERICAN FALLS** (U01) 2 NE UTC-7(-6DT) N42°47.84' W112°49.51'

SALT LAKE CITY

4419 B NOTAM FILE BOI

L-11C

RWY 03-21: H4900X50 (ASPH) MIRL**RWY 03:** Fence.**RWY 21:** TRCV(TRIL)—GA 3.5° TCH 50'. Hill.**SERVICE:** FUEL 100LL LGT ACTVT TRCV Rwy 21; MIRL Rwy

03-21-CTAF (5 clicks).

AIRPORT REMARKS: Attended 1500-0100Z†. Frequent helicopter ops year around. No line of sight between rwy ends. Irregular snow removal.**AIRPORT MANAGER:** 208-223-6276**COMMUNICATIONS:** CTAF/UNICOM 122.8**CLEARANCE DELIVERY PHONE:** For CD ctc Salt Lake ARTCC at 801-320-2568.**RADIO AIDS TO NAVIGATION:** NOTAM FILE PIH.**POCATELLO (H) (H) VORW/DME** 112.6 PIH Chan 73 N42°52.22'

W112°39.13' 223° 8.8 NM to fld. 4433/17E.

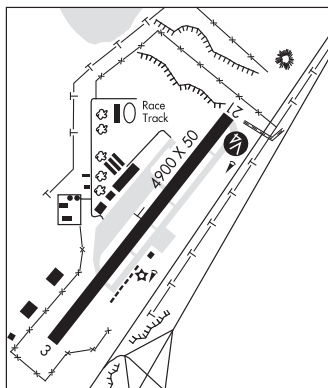
VOR unusable:

107°-120° byd 25 NM blo 17,000'

DME unusable:

060°-125° byd 25 NM blo 17,000'

165°-175° byd 35 NM blo 13,000'

**ANTELOPE VALLEY** (See MOORE on page 69)