

CRESCENT CITY N41°46.77' W124°14.45' NOTAM FILE CEC.
 (L) (L) **VORTACW** 109.0 CEC Chan 27 at Jack Mc Namara Flt. 55/14E.
 TACAN AZIMUTH & DME unusable:
 195°-235° byd 20 NM
RCO 122.3 (OAKLAND RADIO)

KLAMATH FALLS
 H-3A, L-21

DAGGETT

BARSTOW-DAGGETT (DAG)(KDAG) P (A) 4 E UTC-8(-7DT) N34°51.22' W116°47.20'

LOS ANGELES

1930 B NOTAM FILE DAG

H-41, L-7C

RWY 08-26: H6402X150 (ASPH) S-30, D-170, 2S-175, 2D-320

IAP, AD

MIRL 0.3% up W

RWY 08: PAPI(P4L)—GA 3.0° TCH 50'.

RWY 26: PAPI(P4L)—GA 3.0° TCH 50'.

RWY 04-22: H5123X100 (ASPH) S-30, D-105, 2S-133, 2D-190

MIRL 0.3% up SW

RWY 22: PAPI(P4L)—GA 3.0° TCH 49'.

SERVICE: FUEL 100LL, JET A **LGT** ACTVT MIRL Rwy 04-22 and Rwy 08-26—CTAF. PAPI Rwy 08, 22 and 26 opr consly.

MILITARY— FUEL A, A+ (avbl 1600-0100Z \ddagger , C760-254-2542. OT 2 hr PN rqr, C760-254-2349.) (NC- 100LL)

AIRPORT REMARKS: Attended 1430-0100Z \ddagger . PAEW invof Army ramp.

Extensive military helicopter tfc invof arpt. E-W twy parallel to Rwy 08-26 weight bearing capacity limited to single wheel acft 12,000 lbs.

AIRPORT MANAGER: 909-387-8810

WEATHER DATA SOURCES: ASOS 132.175 (760) 254-3630.

COMMUNICATIONS: CTAF/UNICOM 123.0

DAGGETT RCO 122.2 (RIVERSIDE RADIO)

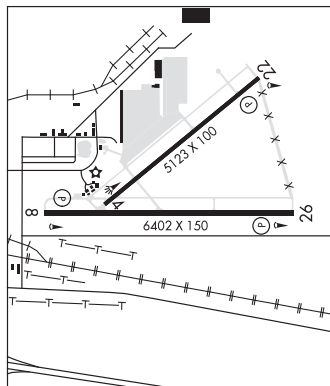
® **L.A. CENTER APP/DEP CON** 132.5

CLEARANCE DELIVERY PHONE: For CD if una to ctc on FSS freq, ctc Los Angeles

ARTCC at 661-575-2079.

RADIO AIDS TO NAVIGATION: NOTAM FILE DAG.

DAGGETT (L) (L) VORTACW 113.2 DAG Chan 79 N34°57.75' W116°34.69' 223° 12.2 NM to fld. 1760/15E.



DAGGETT N34°57.75' W116°34.69' NOTAM FILE DAG.
 (L) (L) **VORTACW** 113.2 DAG Chan 79 223° 12.2 NM to Barstow-Daggett. 1760/15E.
RCO 122.2 (RIVERSIDE RADIO)

LOS ANGELES
 H-41, L-7D