

MARANA

MARANA RGNL (AVQ)(KAVQ) 15 NW UTC-7 N32°24.57' W111°13.10'

2032 B TPA—See Remarks NOTAM FILE PRC

RWY 12-30: H6901X100 (ASPH) S-75, D-100, 2S-160, 2D-300

MIRL 0.3% up SE

RWY 12: REIL. PAPI(P4L)—GA 3.06° TCH 45'.

RWY 30: REIL. PAPI(P4L)—GA 3.41° TCH 45'. Rgt tfc.

RWY 03-21: H3892X75 (ASPH) S-75, D-100, 2S-135, 2D-150

MIRL

RWY 03: REIL. PAPI(P2L)—GA 2.91° TCH 53'. Thld dsplcd 494'.

Road. Rgt tfc.

RWY 21: REIL. PAPI(P2L)—GA 2.91° TCH 41'. Brush.

SERVICE: S3 FUEL 100LL, JET A 0X3 LGT ACTVT REIL Rwy 12 and 30; MIRL Rwy 03-21 and 12-30—CTAF. PAPI Rwy 03, 12, 21 and 30 on consly. Rwy 21 PAPI unusable byd 7.0 NM due to trrn. Rwy 30 PAPI unusable byd 3.5 NM due to trrn.

AIRPORT REMARKS: Attended 1400-0030Z. Self svc credit card fuel H24. Aft hr call out fee — 520-730-4318. Parachute Jumping. Formation fit PPR wi 5 NM — amgr. Aerobatic act 2 mi SE SFC-7000 ft MSL; High and Low level prcht trng NW quad. Hot air balloon ops not authorized. Hel Ind SE helipad only; fuel and term ramp Indg not authorized. Rwy 12 calm wind rwy. Preferred TPA—3000' MSL, light aircraft; 3500' MSL, heavy aircraft. Note: See Special Notices Glider Operations Northwest of Tucson, Arizona.

AIRPORT MANAGER: 520-382-8053

WEATHER DATA SOURCES: AWOS-3 118.375 (520) 682-1397.

COMMUNICATIONS: CTAF/UNICOM 123.0

® **TUCSON APP/DEP CON** 119.4

CLEARANCE DELIVERY PHONE: For CD etc Tucson Apch at 520-829-6121.

RADIO AIDS TO NAVIGATION: NOTAM FILE TUS.

TUCSON (VH) (H) VORTACW 116.0 TUS Chan 107 N32°05.71' W110°54.89' 309° 24.3 NM to fld. 2671/12E.

VOR unusable:

050°-080° byd 30 NM blo 11,500'

066°-076° byd 40 NM blo 11,500'

066°-076° byd 48 NM

077°-131° byd 40 NM

141°-164° byd 40 NM

191°-231° byd 40 NM

245°-249° byd 40 NM

290°-300° byd 40 NM blo 8,000'

290°-300° byd 52 NM

330°-341° byd 40 NM blo 9,000'

330°-341° byd 52 NM

342°-065° byd 40 NM

350°-020° byd 30 NM blo 13,000'

TACAN AZIMUTH unusable:

050°-080° byd 30 NM blo 11,500'

155°-165° byd 35 NM blo 13,000'

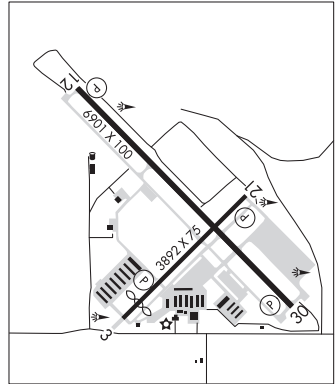
350°-020° byd 30 NM blo 13,000'

DME unusable:

050°-080° byd 30 NM blo 11,500'

155°-165° byd 35 NM blo 13,000'

350°-020° byd 30 NM blo 13,000'



PHOENIX
H-4J, L-5C
IAP