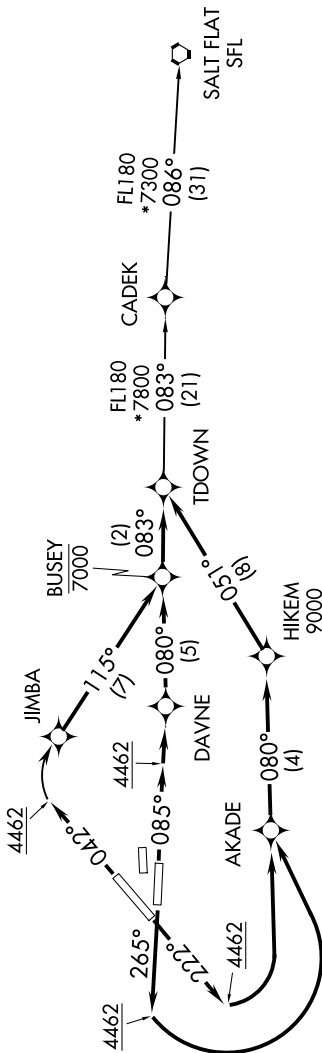
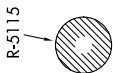
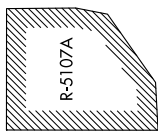


# TDOWN THREE DEPARTURE (RNAV)

D-ATIS  
 120.0 254.3  
 CLNC DEL  
 125.0 379.1  
 GND CON  
 121.9 348.6  
 EL PASO TOWER  
 118.3 239.275  
 EL PASO DEP CON  
 119.15 263.0  
 A&G CENTER  
 135.875 292.15



**TOP ALTITUDE:  
 ASSIGNED BY ATC**



NOTE: DME/DME/IRU or GPS required.  
 NOTE: RNAV 1.  
 NOTE: For use by Turbojet aircraft only.  
 NOTE: RADAR required for non-GPS equipped aircraft.

**TAKEOFF MINIMUMS**  
 Rwy 4, 8R: Standard with a minimum climb of 500' per NM to 4462.  
 Rwy 22, 26L: Standard with a minimum climb of 500' per NM to 9000.

(NARRATIVE ON FOLLOWING PAGE)

NOTE: Chart not to scale.