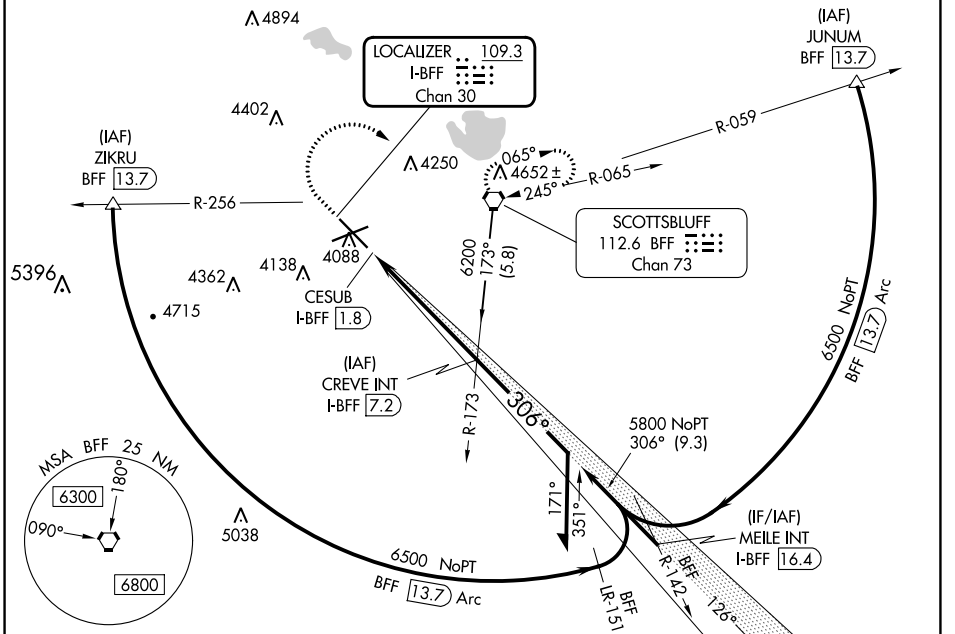


LOC/DME I-BFF 109.3 Chan 30	APP CRS 306°	Rwy Idg 8279 TDZE 3952 Apt Elev 3967
---	------------------------	---

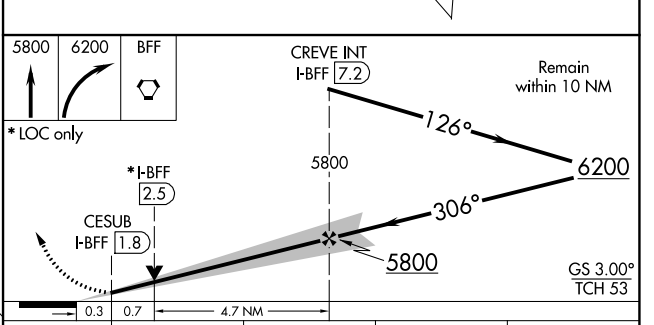
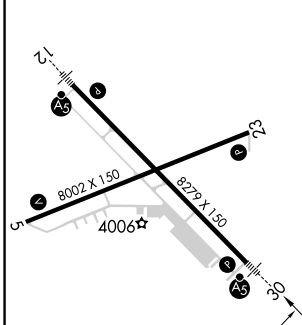
ILS or LOC RWY 30
SCOTTSBLUFF/WESTERN NEBRASKA RGNL/WM B HEILIG FLD (B'F'F')

▲ For inop ALS, increase S-LOC 30 Cats C and D visibility to 1 SM. **MALSR** MISSED APPROACH: Climb to 5800 then climbing right turn to 6200 direct BFF VORTAC and hold.

ASOS 121.025	DENVER CENTER 127.95 338.2	UNICOM 123.0 (CTAF) 0
------------------------	--------------------------------------	---------------------------------



ELEV 3967	D TDZE 3952
------------------	---------------------------



CATEGORY	A	B	C	D
S-ILS 30	4152-½ 200 (200-½)			
S-LOC 30	4300-½ 348 (400-½)	4300-⅝ 348 (400-⅝)		
C CIRCLING	4500-1 533 (600-1)	4560-1½ 593 (600-1½)	4740-2½ 773 (800-2½)	

SCOTTSBLUFF, NEBRASKA
Amdt 11 08NOV18

SCOTTSBLUFF/WESTERN NEBRASKA RGNL/WM B HEILIG FLD (B'F'F')
41°52'N-103°36'W

ILS or LOC RWY 30

NC-2, 26 DEC 2024 to 23 JAN 2025

NC-2, 26 DEC 2024 to 23 JAN 2025