

FRDMM SIX ARRIVAL (RNAV) Transition Routes

WASHINGTON, DC

NE-3, 26 DEC 2024 to 23 JAN 2025

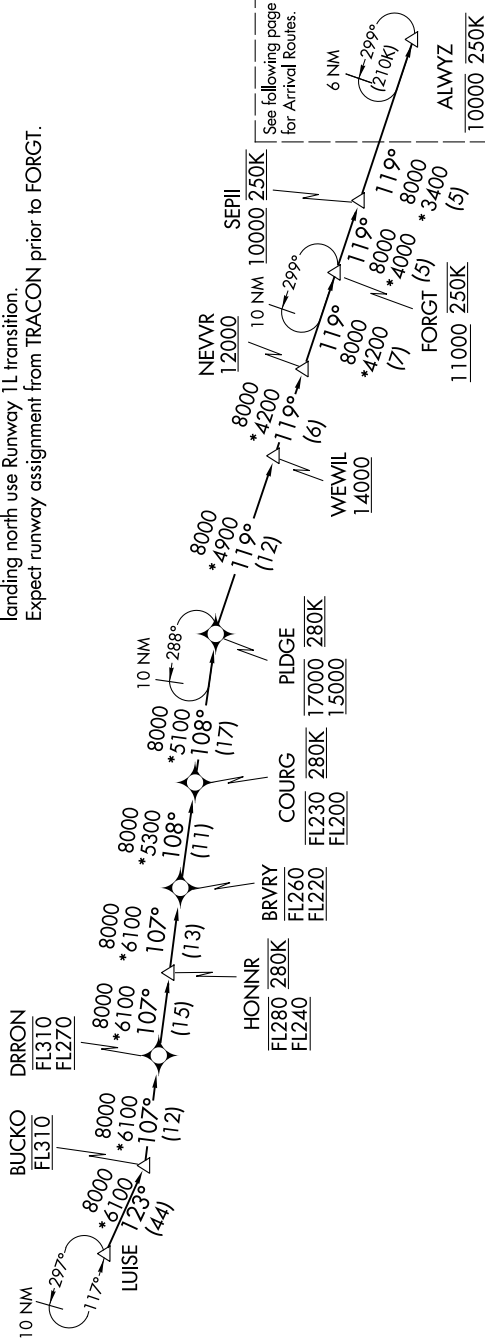
POTOMAC APP CON
118.675 323.175
DCA D-ATIS
132.65
ADW D-ATIS
133.675 251.05
DAA ATIS *
128.175

RNAV-1 DME/DME/IRU or GPS.
RADAR required.

BUCKO TRANSITION (BUCKO.FRDMM6):
LUISE TRANSITION (LUISE.FRDMM6):



NOTE: Jet aircraft only.
NOTE: Turboprop aircraft as assigned by ATC only.
NOTE: PROHIBITED AREA (P-56) 1.5 NM north of KDCA - AVOID - surface to FL180.
NOTE: Landing south at DCA use Runway 19 transition, landing north use Runway 1 transition.
Landing south at ADW use Runway 19R transition, landing north use Runway 1L transition.
Expect runway assignment from TRACON prior to FORGT.



See following page for Arrival Routes.

(CONTINUED ON FOLLOWING PAGE)

NOTE: Chart not to scale.

WASHINGTON, DC

NE-3, 26 DEC 2024 to 23 JAN 2025