

WAAS CH 42633 W35A	APP CRS 354°	Rwy Idg TDZE Apt Elev	7401 966 1000
--	------------------------	-----------------------------	--

RNAV (GPS) RWY 35

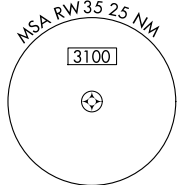
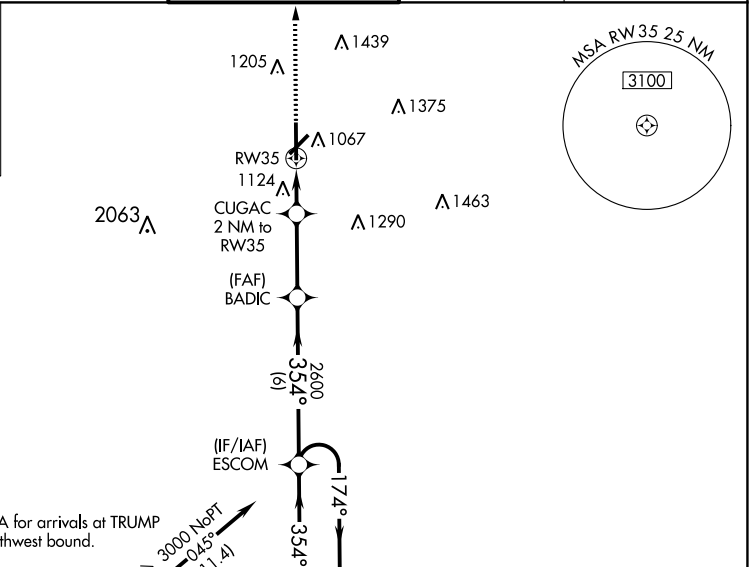
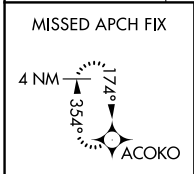
STILLWATER RGNL (SWO)

RNP APCH - GPS.

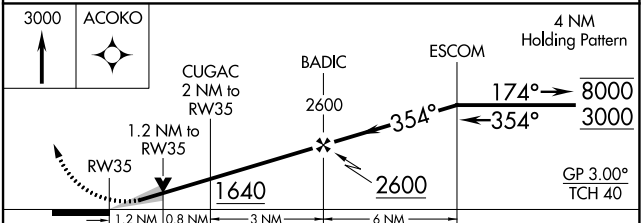
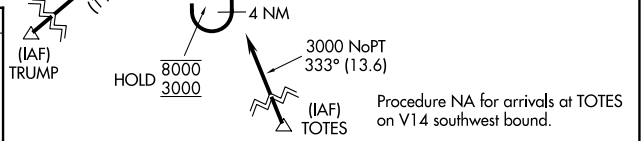
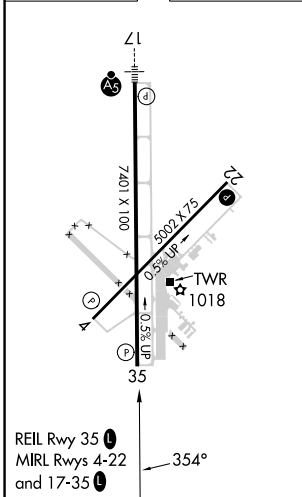
⚠ Baro-VNAV and VDP NA when using Ponca City altimeter setting. For uncompensated Baro-VNAV systems, LNAV/VNAV NA below -16°C or above 54°C. When local altimeter setting not received, use Ponca City altimeter setting: increase LPV DA to 1246 feet and all visibilities 1/8 SM. Increase LNAV/VNAV DA to 1336 feet and all visibilities 1/4 SM. Increase all MDAs 80 feet and LNAV visibility Cats C/D 1/4, and Circling visibility Cat D 1/4 SM.

MISSED APPROACH: Climb to 3000 direct ACOKO and hold.

ASOS 135.725	KANSAS CITY CENTER 127.8 319.1	STILLWATER TOWER ★ 125.35 (CTAF) 0	GND CON 121.6	UNICOM 122.95
------------------------	--	---	-------------------------	-------------------------



ELEV 1000	D	TDZE 966
-----------	----------	----------



CATEGORY	A	B	C	D
LPV DA		1166-3/4	200 (200-3/4)	
LNAV/VNAV DA		1256-1	290 (300-1)	
LNAV MDA	1380-1	414 (400-1)	1380-1 1/8	414 (400-1 1/8)
C CIRCLING	1460-1 460 (500-1)	1480-1 480 (500-1)	1540-1 1/2 540 (600-1 1/2)	1740-2 1/4 740 (800-2 1/4)

SC-1, 26 DEC 2024 to 23 JAN 2025

SC-1, 26 DEC 2024 to 23 JAN 2025