

# RNAV (GPS) RWY 28

IONIA COUNTY (Y7~~0~~)

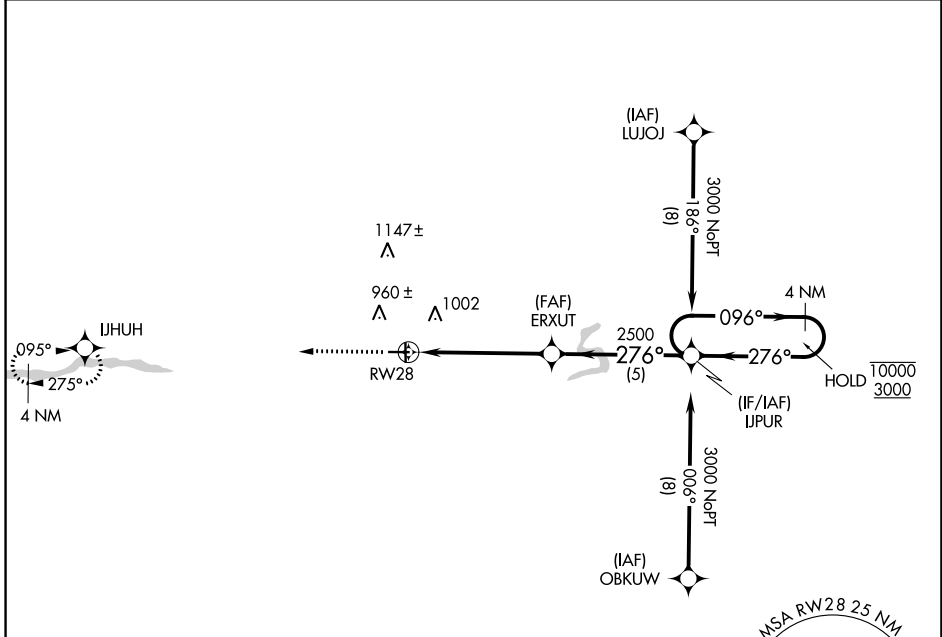
APP CRS <b>276°</b>	Rwy Idg <b>4298</b>
	TDZE <b>813</b>
	Apt Elev <b>818</b>

RNP APCH - GPS.

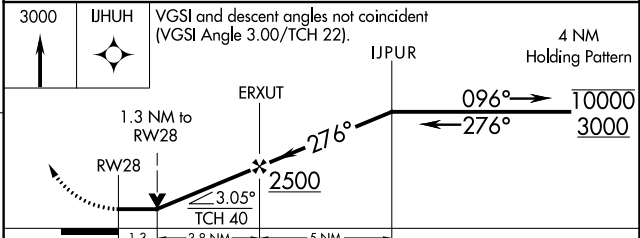
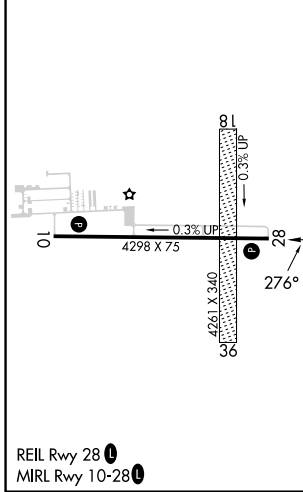
**⚠** Circling NA to Rwy 18 and 36. Rwy 28 helicopter visibility reduction below  $\frac{3}{4}$  SM NA.

MISSED APPROACH: Climb to 3000 direct IJHUH and hold.

AWOS-3 <b>118.9</b>	GREAT LAKES APP CON ★ <b>118.65 226.4</b>	UNICOM <b>122.8 (CTAF)</b>
------------------------	--	-------------------------------



ELEV 818	TDZE 813
----------	----------



CATEGORY	A	B	C	D
LNAV MDA	1240-1	427 (500-1)	1240-1 $\frac{1}{4}$ 427 (500-1 $\frac{1}{4}$ )	NA
<b>C</b> CIRCLING	1320-1	502 (600-1)	1340-1 $\frac{1}{2}$ 522 (600-1 $\frac{1}{2}$ )	NA