

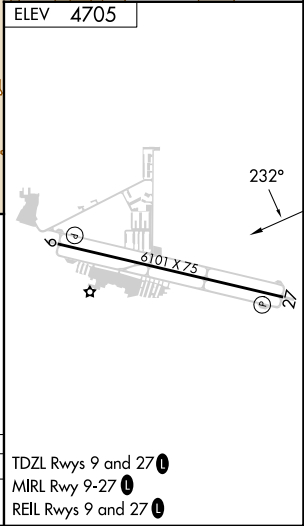
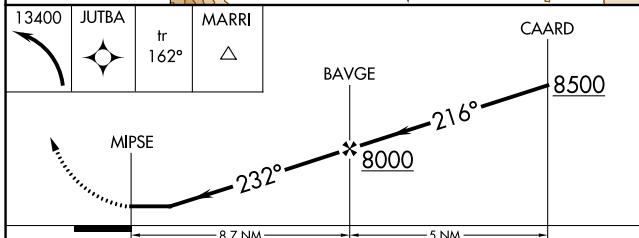
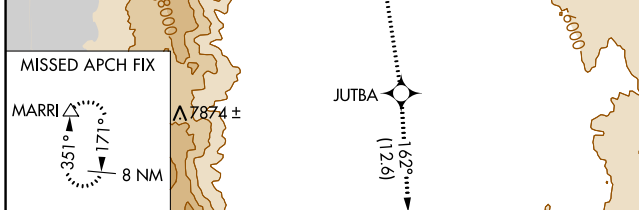
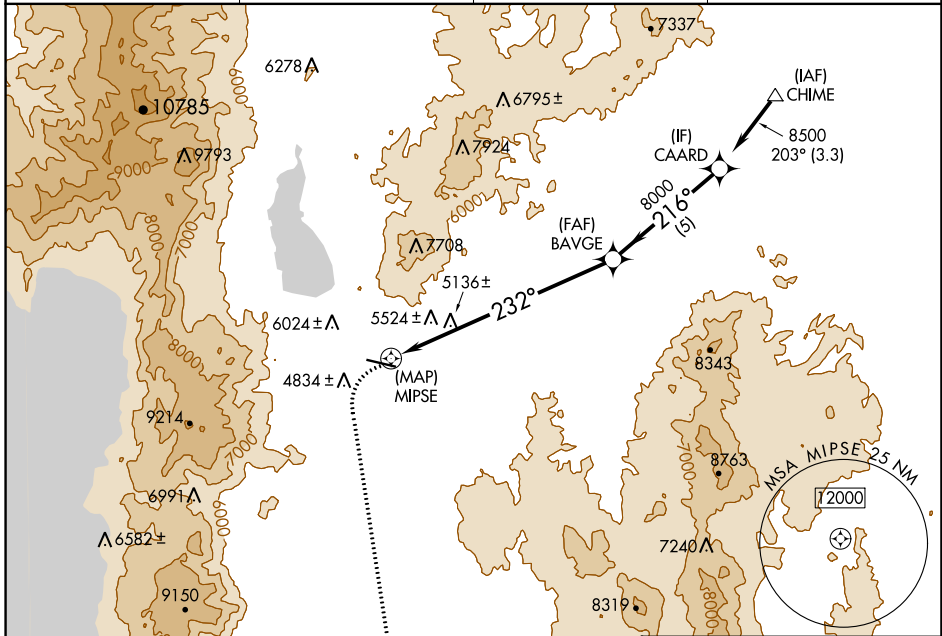
APP CRS	Rwy Idg	N/A
232°	TDZE	N/A
	Apt Elev	4705

RNAV (GPS)-B

CARSON CITY (CXP)

RNP APCH.	MISSED APPROACH: Climbing left turn to 13400 direct JUTBA and on track 162° direct MARRI and hold, continue climb-in-hold to 13400.
<p>▼ Circling NA north of Rwy 9-27.</p> <p>▲ Procedure NA at night.</p>	

AWOS-3PT 119.925	NORCAL APP CON 119.2 279.55	CLNC DEL 133.25	UNICOM 123.0 (CTAF) 0
----------------------------	---------------------------------------	---------------------------	---------------------------------



CATEGORY	A	B	C	D
CIRCLING	6340-1¼ 1635 (1700-1¼)	6340-1½ 1635 (1700-1½)	6340-3 1635 (1700-3)	7660-3 2955 (3000-3)

TDZL Rwy 9 and 27 0
MRL Rwy 9-27 0
REIL Rwy 9 and 27 0

SW-4, 26 DEC 2024 to 23 JAN 2025

SW-4, 26 DEC 2024 to 23 JAN 2025