

LOC/DME I-DXU 111.9 Chan 56	APP CRS 353°	Rwy Idg TDZE Apt Elev 16000 5327 5434
--	------------------------	---

ILS RWY 34L (CAT II & III)

DENVER INTL (DEN)

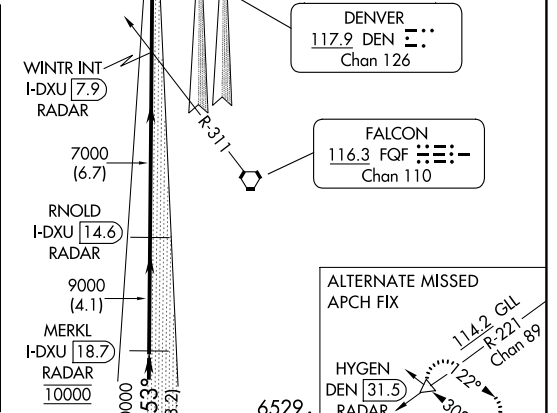
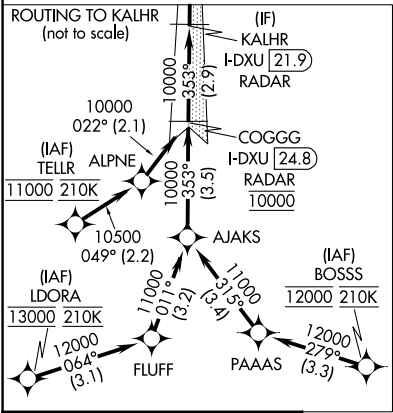
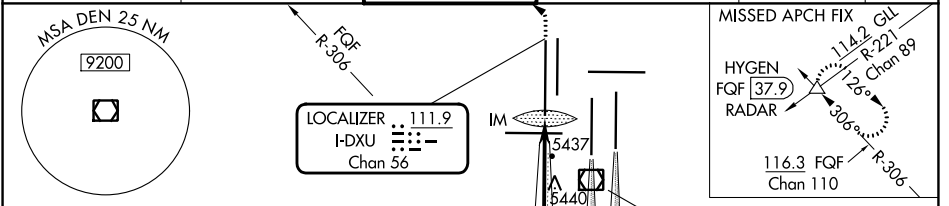
RNAV-1 GPS or RADAR required for procedure entry. From LDORA, BOSSA, TELLR: RNAV-1 GPS required. DME or RADAR required.

CAUTION: CAT II: RVR 1000 authorized with specific OPSPEC, MSPEC, or LOA approval and use of autoland or HUD to touchdown. Simultaneous approach authorized with Rwy 35L/R.

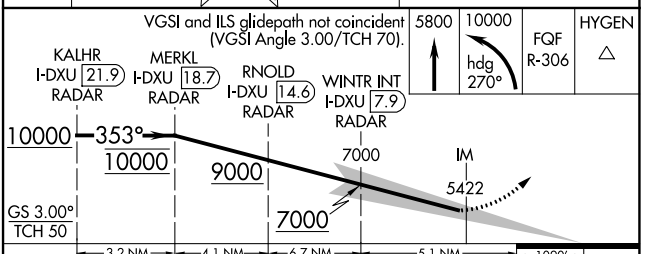
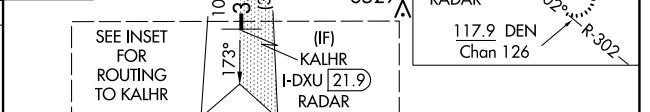
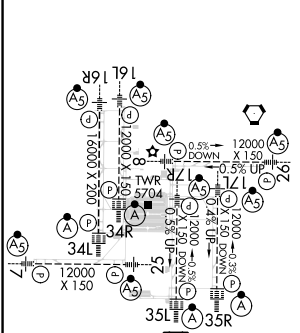
ALSF-2

MISSED APPROACH: Climb to 5800 then climbing left turn to 10000 on heading 270° and FQF VORTAC R-306 to HYGEN/FQF 37.9 DME/RADAR and hold.

D-ATIS 125.6 379.9 (ARR) 134.025 (DEP)	DENVER APP CON 119.3 307.3 (N) 120.35 379.3 (S)	DENVER TOWER 135.3 351.95	GND CON 121.35 379.175 (W) 121.85 377.1 (E)	CLNC DEL 118.75	CPDLC
--	---	-------------------------------------	---	---------------------------	-------



ELEV 5434	D	TDZE 5327
-----------	---	-----------



CATEGORY	A	B	C	D
S-ILS 34L	CAT II RA 108/12 100 DA 5427			
S-ILS 34L	CAT III RVR 03			

CATEGORY II & III ILS - SPECIAL AIRCREW & AIRCRAFT CERTIFICATION REQUIRED

SW-1, 26 DEC 2024 to 23 JAN 2025

SW-1, 26 DEC 2024 to 23 JAN 2025