

WAAS CH 72639 W04A	APP CRS 040°	Rwy Idg TDZE 900 Apt Elev 900	4999
--	------------------------	---	-------------

RNAV (GPS) RWY 4

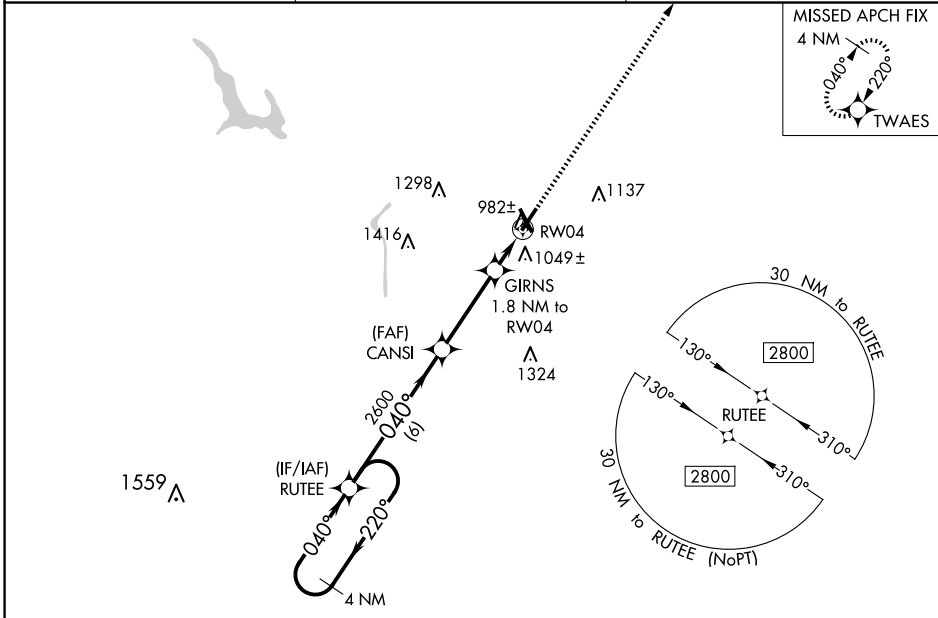
ZANESVILLE MUNI (ZZV)

RNP APCH - GPS.

For uncompensated Baro-VNAV systems, LNAV/VNAV NA below -21°C or above 54°C.
Circling Rwy 16, 34 NA at night.

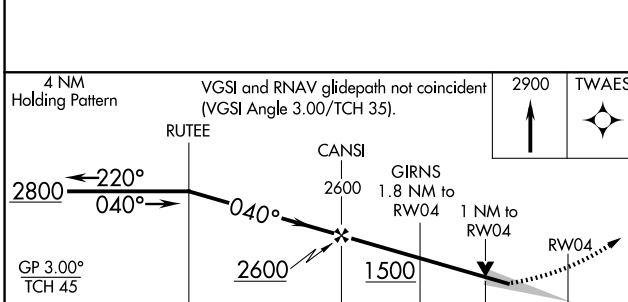
MISSED APPROACH:
Climb to 2900 direct
TWAES and hold.

ASOS 114.95	INDIANAPOLIS CENTER 124.45 323.275	UNICOM 123.0 (CTAF) 0*
-----------------------	--	----------------------------------



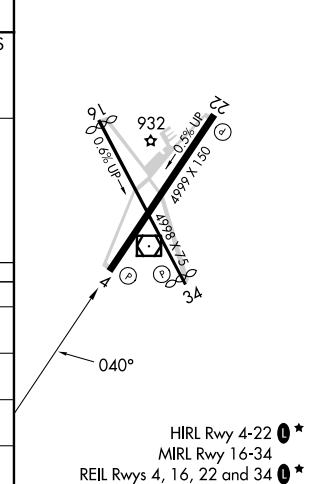
EC-2, 23 JAN 2025 to 20 FEB 2025

EC-2, 23 JAN 2025 to 20 FEB 2025



ELEV 900	TDZE 900
----------	----------

CATEGORY	A	B	C	D
LPV DA		1150-3/4	250 (300-3/4)	
LNAV/VNAV DA		1155-3/4	255 (300-3/4)	
LNAV MDA		1280-1	380 (400-1)	
CIRCLING	1380-1 480 (500-1)	1420-1 520 (600-1)	1620-2 720 (800-2)	1620-2 1/4 720 (800-2 1/4)



HIRL Rwy 4-22 0*
MIRL Rwy 16-34
REIL Rws 4, 16, 22 and 34 0*