

HOBART RGNL (HBR)(KHBR) 3 SE UTC-6(-5DT) N34°59.40' W99°03.18'

1563 B NOTAM FILE HBR MON Airport

RWY 17-35: H5507X100 (ASPH) S-20 MIRL 0.4% up S**RWY 17:** PAPI(P4L)—GA 3.0° TCH 35'**RWY 35:** PAPI(P4L)—GA 3.0° TCH 42'**RWY 03-21:** H2975X60 (ASPH) S-9.4 0.5% up SW**SERVICE:** FUEL 100LL, JET A+**AIRPORT REMARKS:** Attended Mon-Fri 1400-2200Z†. Fuel avbl 24 hr self svc with major credit card. Rwy 03 markings svrlly faded. Rwy 21 markings svrlly faded.**AIRPORT MANAGER:** 580-726-2719**WEATHER DATA SOURCES:** ASOS 133.325 (580) 726-6651.**COMMUNICATIONS:** CTAF/UNICOM 122.8**RCO** 122.2 (MC ALESTER RADIO)Ⓡ **ALTUS APP/DEP CON** 125.1 (Mon-Fri 1500-0830Z†, clsd weekends and holidays. Other times ctc)Ⓡ **FORT WORTH CENTER APP/DEP CON** 128.4**CLEARANCE DELIVERY PHONE:** For CD if una to ctc on FSS freq, ctc Fort Worth ARTCC at 817-858-7584.**AIRSPACE:** CLASS E.**RADIO AIDS TO NAVIGATION:** NOTAM FILE HBR.(L) (L) **VORTACW** 115.85 HBR Chan 105(Y) N34°51.99' W99°03.80' 354° 7.4 NM to fld. 1472/10E.

VOR unusable:

080°-120° byd 10 NM

355°-360° byd 15 NM blo 4,500'

TACAN AZIMUTH unusable:

050°-055° byd 21 NM blo 4,500'

050°-055° byd 26 NM blo 5,500'

050°-055° byd 33 NM blo 7,500' 080-120 byd 10 NM'

245°-270° byd 33 NM blo 3,500'

DME unusable:

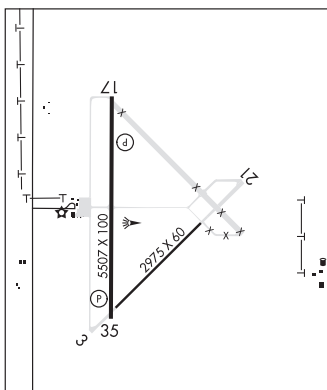
080°-120° byd 10 NM

355°-360° byd 15 NM blo 4,500'

DALLAS-FT WORTH

H-6H, L-17B

IAP

**HOLDENVILLE MUNI** (F99) 1 NW UTC-6(-5DT) N35°05.15' W96°25.00'

861 B NOTAM FILE MLC

RWY 17-35: H3251X100 (CONC) S-30, D-42 MIRL(NSTD)**SERVICE:** LGT Rwy 17-35 intens rwy lgts nstd dist fm rwy edge.**AIRPORT REMARKS:** Unattended. 125' AGL silo, .3 nm W Rwy 35 thld.**AIRPORT MANAGER:** 254-368-4635**COMMUNICATIONS:** CTAF 122.9Ⓡ **FORT WORTH CENTER APP/DEP CON** 132.2**CLEARANCE DELIVERY PHONE:** For CD ctc Fort Worth ARTCC at 817-858-7584.**RADIO AIDS TO NAVIGATION:** NOTAM FILE OKM.OKMULGEE (VH) (DH) **VORW/DME** 114.9 OKM Chan 96 N35°41.58' W95°51.96' 209° 45.3 NM to fld. 774/8E.

DALLAS-FT WORTH

L-17D

IAP

