

WAAS CH 63026 W25A	APP CRS 251°	Rwy Idg TDZE Apt Elev	4001 86 86
--	------------------------	-----------------------------	---------------------------------------

RNAV (GPS) RWY 25

HERLONG RECREATIONAL (HEG)

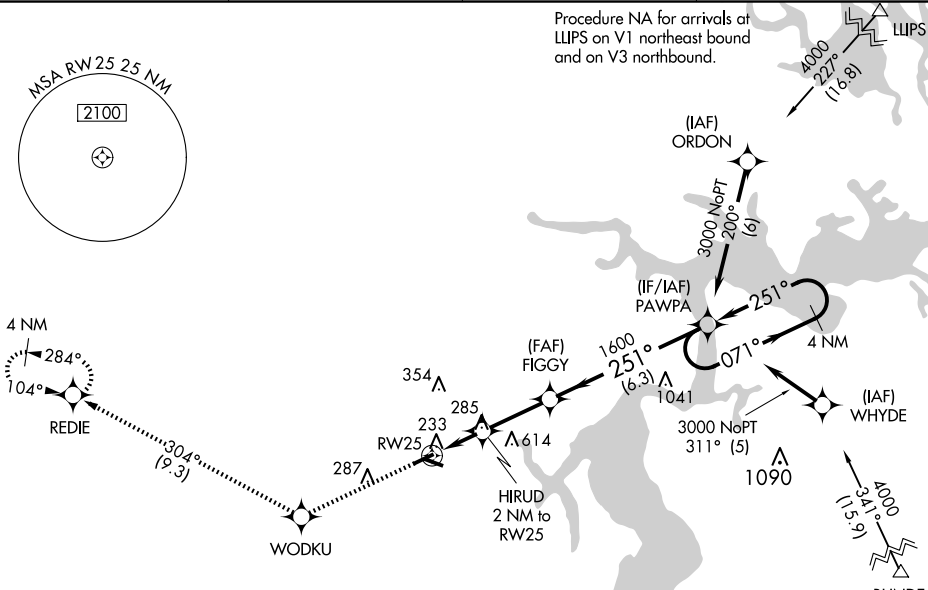
⚠ Baro-VNAV NA when using Cecil altimeter setting. For uncompensated Baro-VNAV systems, procedure NA below -15°C (5°F) or above 54°C (130°F). DME/DME RNP-0.3 NA.

⚠ NA When local altimeter setting not received, use Cecil altimeter setting: increase all DA 13 feet and all MDA 20 feet; increase LNAV Cat C and D visibility 1/8 mile. Procedure NA at night for Cat C/D aircraft. Night landing: Rwy 7, 11, 29 NA. Helicopter visibility reduction below 3/4 SM NA.

MISSED APPROACH: Climb to 2000 direct WODKU and on track 304° to REDIE and hold.

AWOS-3 119.275	JACKSONVILLE APP CON 127.775 377.075	GCO 121.725	UNICOM 123.0 (CTAF) 0
--------------------------	--	-----------------------	---------------------------------

Procedure NA for arrivals at LLIPS on V1 northeast bound and on V3 northbound.

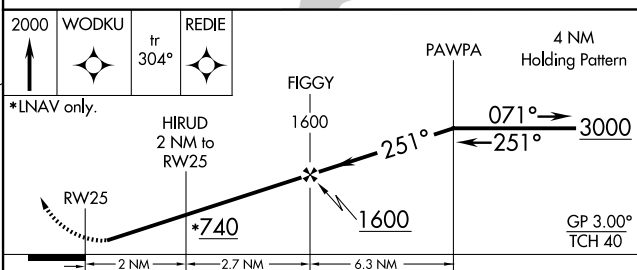
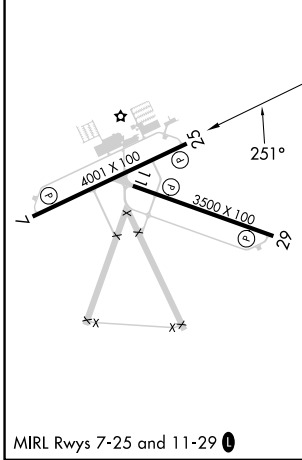


SE-3, 20 FEB 2025 to 20 MAR 2025

SE-3, 20 FEB 2025 to 20 MAR 2025

ELEV 86	TDZE 86
---------	---------

Procedure NA for arrivals at BUNDE on V51 southbound.



CATEGORY	A	B	C	D
LPV DA		378-1	292 (300-1)	
LNAV/VNAV DA		612-1 7/8	526 (600-1 7/8)	
LNAV MDA	600-1	514 (600-1)	600-1 3/8	514 (600-1 3/8)
C CIRCLING	600-1	514 (600-1)	980-2 3/4 894 (900-2 3/4)	980-3 894 (900-3)