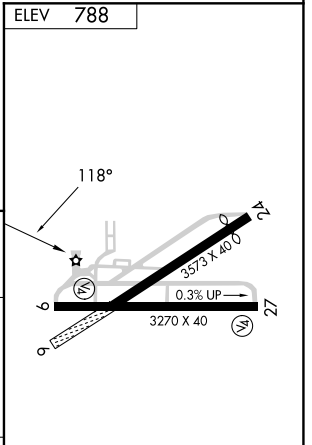
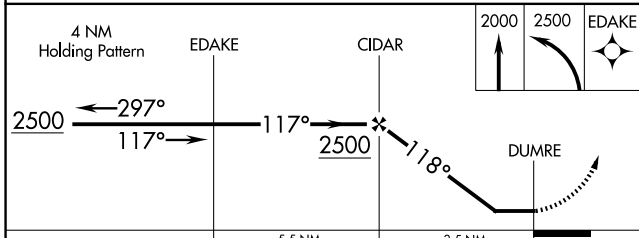
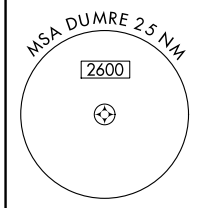
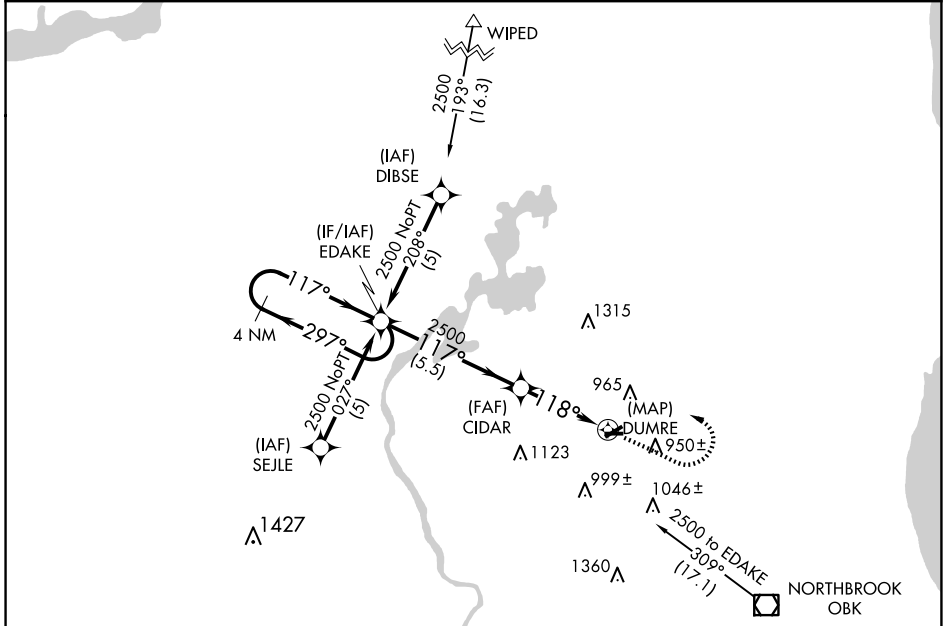


| | | |
|---------|----------|-----|
| APP CRS | Rwy Idg | N/A |
| 118° | TDZE | N/A |
| | Apt Elev | 788 |

RNAV (GPS)-B

CAMPBELL (C81)

| | |
|--|--|
| <p>▼ Use Chicago O'Hare altimeter setting. ▲ NA GPS or RNP-0.3 required. DME/DME RNP-0.3 NA.</p> | <p>MISSED APPROACH: Climb to 2000, then climbing left turn to 2500 direct EDAKE WP and hold.</p> |
| <p>CHICAGO APP CON 120.55 306.925</p> | <p>UNICOM 122.7 (CTAF)</p> |



| CATEGORY | A | B | C | D |
|----------|--------|-------------|-------------------------|----|
| CIRCLING | 1400-1 | 612 (700-1) | 1400-1¾ 612 (700-1¾) | NA |

EC-3, 20 FEB 2025 to 20 MAR 2025

EC-3, 20 FEB 2025 to 20 MAR 2025