

PALACIOS THREE DEPARTURE

**TOP ALTITUDE:
ASSIGNED BY ATC**

RADAR and DME required.

TAKEOFF MINIMUMS

Rwys 4, 17L/R, 35L/R: Standard.
Rwy 22: 200-1/4 or standard with minimum climb of 214' per NM to 300 or alternatively with standard takeoff minimums and a normal 200' per NM climb gradient, takeoff must occur no later than 1400' prior to DER.

ATIS 135.575 269.9
GND CON 121.6 275.8
ELLINGTON TOWER 126.05 253.5
HOUSTON DEP CON 134.45 284.0

FORT STOCKTON
116.9 FST
Chan 116

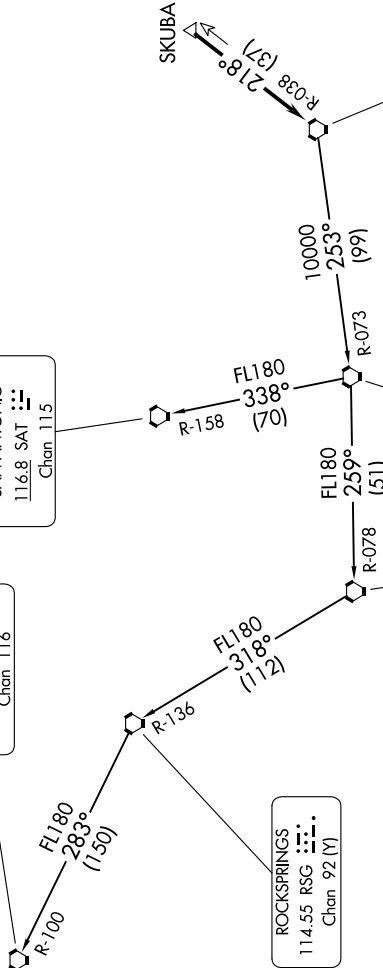
SAN ANTONIO
116.8 SAT
Chan 115

ROCKSPRINGS
114.55 RSG
Chan 92 (Y)

COTUILA
115.8 COT
Chan 105

THREE RIVERS
111.4 THX
Chan 51

PALACIOS
117.3 PSX
Chan 120



(CONTINUED ON FOLLOWING PAGE)

NOTE: Chart not to scale.

SC-5, 20 MAR 2025 to 17 APR 2025

PALACIOS THREE DEPARTURE