

|            |             |          |             |
|------------|-------------|----------|-------------|
| NDB PVC    | APP CRS     | Rwy Idg  | <b>3502</b> |
| <b>389</b> | <b>247°</b> | TDZE     | <b>8</b>    |
|            |             | Apt Elev | <b>8</b>    |

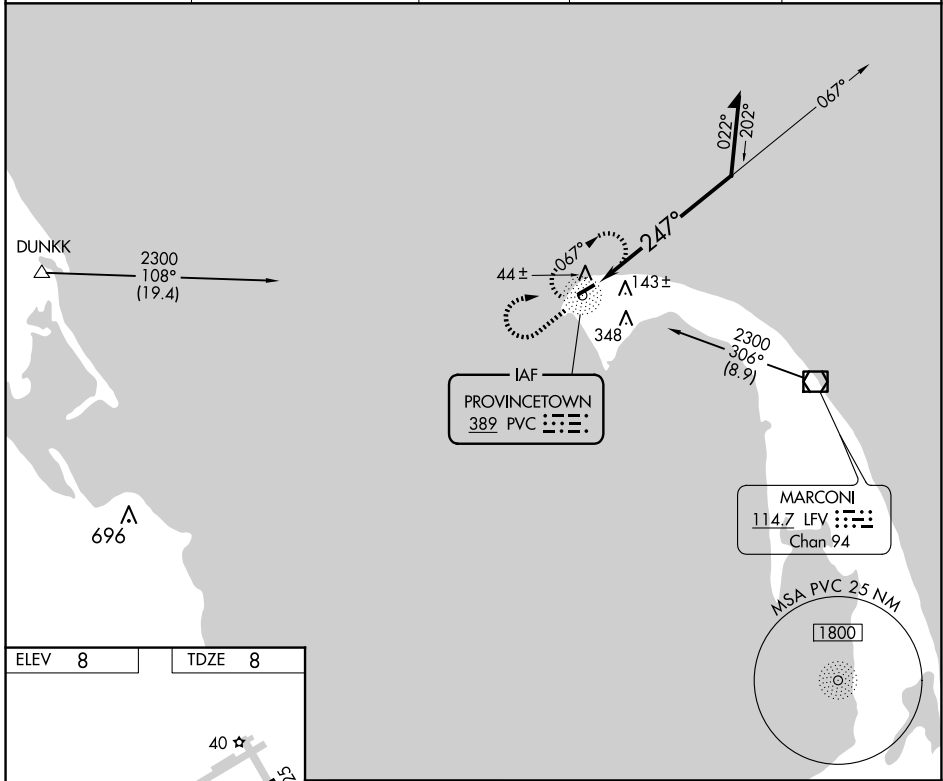
# NDB RWY 25

PROVINCETOWN MUNI (PVC)

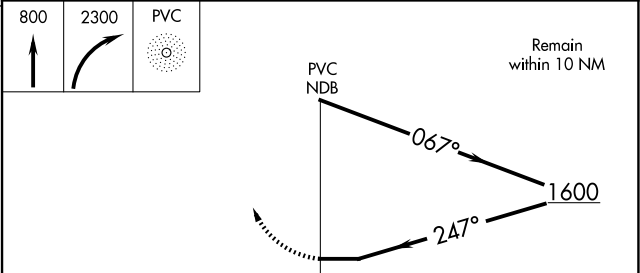
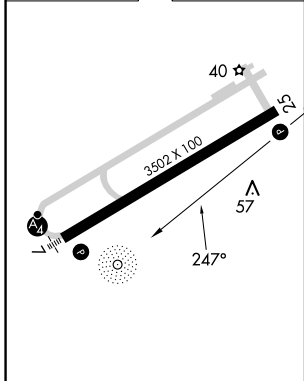
**⚠** Rwy 25 helicopter visibility reduction below 1 SM NA. Straight-in Rwy 25 NA at night, Circling Rwy 25 NA at night. When local altimeter setting not received, use Hyannis altimeter setting and increase all MDA 80 feet.

**MISSED APPROACH:** Climb to 800 then climbing right turn to 2300 direct PVC NDB and hold.

|                |                |               |                     |                        |
|----------------|----------------|---------------|---------------------|------------------------|
| AWOS-3PT       | BOSTON APP CON | CLNC DEL      | UNICOM              |                        |
| <b>119.275</b> | <b>118.2</b>   | <b>120.65</b> | <b>122.8</b> (CTAF) | <b>122.85</b> <b>0</b> |



|      |          |      |          |
|------|----------|------|----------|
| ELEV | <b>8</b> | TDZE | <b>8</b> |
|------|----------|------|----------|



| CATEGORY          | A                    | B                    | C | D  |
|-------------------|----------------------|----------------------|---|----|
| S-25              | 500-1                | 492 (500-1)          |   | NA |
| <b>C</b> CIRCLING | 500-1<br>492 (500-1) | 660-1<br>652 (700-1) |   | NA |

NE-1, 20 MAR 2025 to 17 APR 2025

NE-1, 20 MAR 2025 to 17 APR 2025