

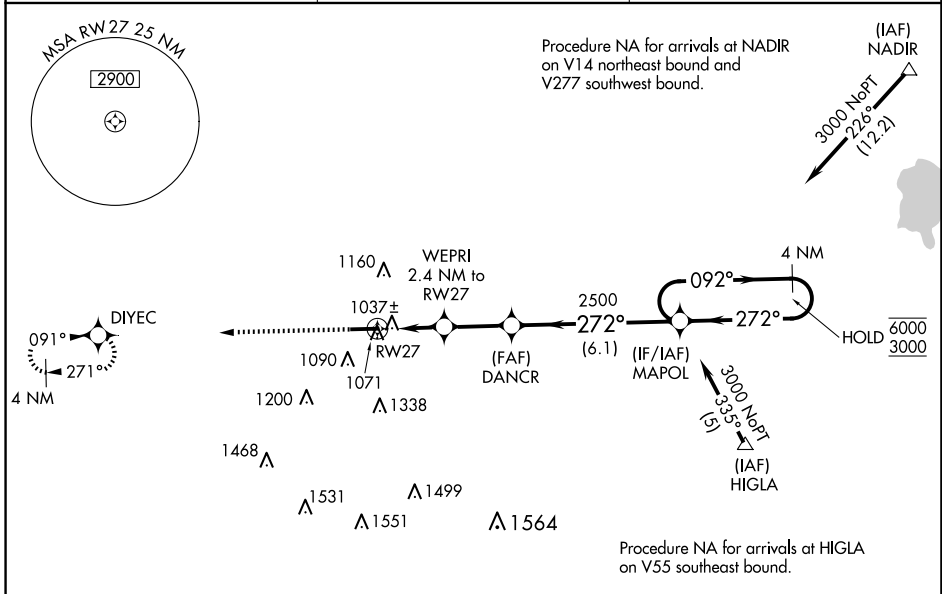
WAAS CH 73025 W27A	APP CRS 272°	Rwy Idg TDZE 925 Apt Elev 925	5505
--	------------------------	---	-------------

RNAV (GPS) RWY 27

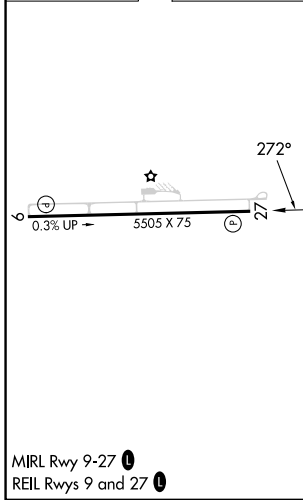
PORTLAND MUNI (PLD)

RNP APCH - GPS.	<p>MISSED APPROACH: Climb to 2500 direct DIYEC and hold.</p>
<p>▼ Rwy 27 helicopter visibility reduction below 1 SM NA. ▲ Straight-in Rwy 27 NA at night, Circling Rwy 27 NA at night.</p>	

AWOS-3 124.675	FORT WAYNE APP CON 132.15 (SE/NE) 284.6 127.2 (SW/NW) 284.6	UNICOM 122.8 (CTAF) 0
--------------------------	---	---------------------------------



ELEV 925	TDZE 925
-----------------	-----------------



2500	DIYEC	VGSI and descent angles not coincident (VGSI Angle 3.00/TCH 26).	4 NM Holding Pattern	
		MAPOL		
		WEPRI 2.4 NM to RW27	DANCR	
CATEGORY	A	B	C	D
LP MDA	1300-1 375 (400-1)			
LNAV MDA	1380-1	455 (500-1)	1380-1 ³ / ₈	455 (500-1 ³ / ₈)
CIRCLING	1480-1	555 (600-1)	1580-1 ³ / ₄	1640-2 ¹ / ₄ 655 (700-1 ³ / ₄) 715 (800-2 ¹ / ₄)

EC-2, 20 MAR 2025 to 17 APR 2025

EC-2, 20 MAR 2025 to 17 APR 2025