

| | | |
|--|------------------------|---|
| WAAS CH 82029 W13A | APP CRS 134° | Rwy Idg 3300 TDZE 859 Apt Elev 859 |
|--|------------------------|---|

RNAV (GPS) RWY 13

WAUTOMA MUNI (Y50)

RNP APCH - GPS

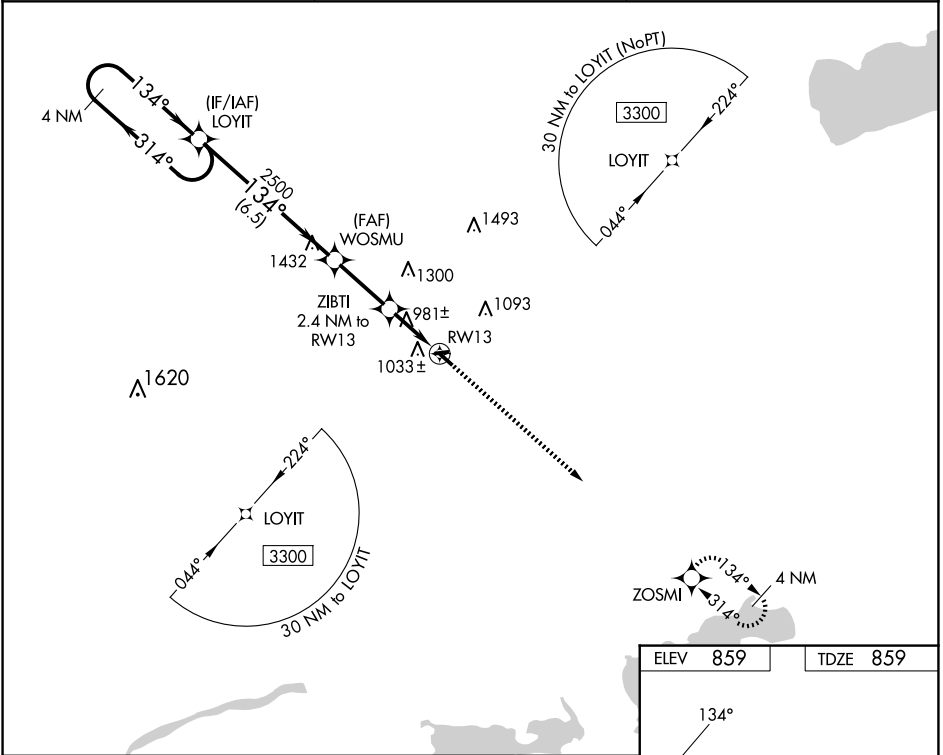
⚠ Circling Rwy 8, 26 NA. Rwy 13 helicopter visibility reduction below 1 SM NA. When local altimeter setting not received, use Oshkosh altimeter setting and increase all MDA 100 feet. Procedure NA at night.

MISSED APPROACH:
Climb to 3300 direct ZOSMI and hold.

AWOS-3PT
119.475

MILWAUKEE APP CON
127.0 263.075

UNICOM
122.8 (CTAF) 0

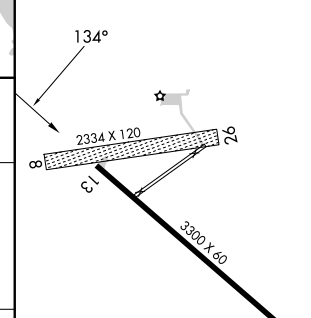
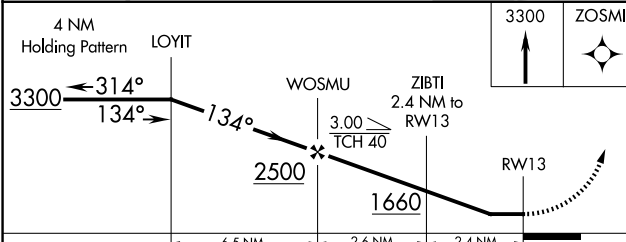


EC-3, 20 MAR 2025 to 17 APR 2025

EC-3, 20 MAR 2025 to 17 APR 2025



| | |
|----------|----------|
| ELEV 859 | TDZE 859 |
|----------|----------|



| CATEGORY | A | B | C | D |
|----------|-----------------------|-----------------------|---|----|
| LP MDA | 1240-1 | 381 (400-1) | | NA |
| LNVA MDA | 1300-1 | 441 (500-1) | | NA |
| CIRCLING | 1340-1 481 (500-1) | 1380-1 521 (600-1) | | NA |

MIRL Rwy 13-31 0