

FLORY N38°40.89' W97°38.70' NOTAM FILE SLN.
NDB (LOMW) 344 SL 350° 6.5 NM to Salina Rgnl. 1318/7E.

WICHITA

FORT RILEY N38°58.21' W96°51.67' NOTAM FILE FRI.
(T) VORW 109.4 FRI 036° 6.7 NM to Marshall AAF. 1228/6E. VOR unmonitored.

KANSAS CITY
L-101

FORT SCOTT MUNI (FSK)(KFSK) 4 SW UTC-6(-5DT) N37°47.90' W94°46.16'
918 B NOTAM FILE ICT
RWY 18-36: H4403X75 (ASPH) S-24 PCN 9 F/D/X/T MIRL

KANSAS CITY
L-10J, 16F
IAP

0.3% up S

RWY 18: REIL. VASI(V4L)—GA 3.0° TCH 33'. Tree.

RWY 36: REIL. PAPI(P2L)—GA 3.0° TCH 44'. Tree.

SERVICE: FUEL 100LL, JET A1+ LGT ACTIVATE MIRL Rwy 18-36,
VASI Rwy 18, PAPI Rwy 36 and REIL Rwy 18 and Rwy 36—CTAF.AIRPORT REMARKS: Attended Mon-Sat 1400-2300Z±. Deer fence around
airport perimeter. Ground drops rapidly 250' from Rwy 18 end. NOTE:
See Special Notices Section—Aerobatic Practice Areas.

AIRPORT MANAGER: 620-223-5490

WEATHER DATA SOURCES: AWOS-3P 124.425 (620) 215-5899.

COMMUNICATIONS: CTAF/UNICOM 122.8

® KANSAS CITY CENTER APP/DEP CON 125.55

CLEARANCE DELIVERY PHONE: For CD ctc Kansas City ARTCC at
913-254-8508.

RADIO AIDS TO NAVIGATION: NOTAM FILE COU.

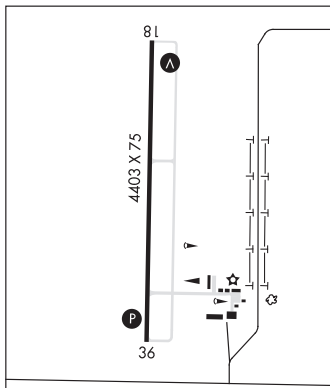
BUTLER (VH) (H) VORTAC 115.9 BUM Chan 106 N38°16.32'
W94°29.30' 198° 31.4 NM to fld. 890/7E.

VOR unusable:

083°-093° byd 59 NM blo 13,500'

249°-259° byd 40 NM blo 18,000'

305°-315° byd 40 NM



FOWLER (18K) 0 E UTC-6(-5DT) N37°23.06' W100°11.17'
2483 NOTAM FILE ICT

WICHITA

RWY 03-21: 2310X100 (TURF)

RWY 03: Road.

RWY 21: Road.

AIRPORT REMARKS: Unattended. Rwy 03 +28' poles ltgd p-line aprx 450' S of SW end of rwy. Rwy 21 mkd with small red
reflectors: solar lights and red cones.

AIRPORT MANAGER: 620-338-1576

COMMUNICATIONS: CTAF 122.9

CLEARANCE DELIVERY PHONE: For CD ctc Kansas City ARTCC at 913-254-8508.

FREDONIA (1K7) 2 N UTC-6(-5DT) N37°34.84' W95°50.23'
882 B NOTAM FILE ICT

KANSAS CITY
L-15E

RWY 17-35: H4557X60 (CONC) LIRL

RWY 17: Pole.

RWY 35: Thld dsplcd 541'.

AIRPORT REMARKS: Unattended. Wildlife on and invof arpt. Rwy 17 nstd
NPI mkgs, no thld bar present. Rwy 35 nstd small bsc markings. A
drainage ditch 70' left of AER 17 runs parallel 700'.

AIRPORT MANAGER: 620-378-2231

COMMUNICATIONS: CTAF 122.9

CLEARANCE DELIVERY PHONE: For CD ctc Kansas City ARTCC at
913-254-8508.

RADIO AIDS TO NAVIGATION: NOTAM FILE CNU.

CHANUTE (L) DME 109.2 CNU Chan 29 N37°37.57'
W95°35.61' 257° 11.9 NM to fld. 1085.