

**BELMONT**

**TISHOMINGO CO** (Ø1M) 2 S UTC-6(-5DT) N34°29.51' W88°12.07'

**MEMPHIS**  
L-18H

584 B NOTAM FILE GWO

**RWY 17-35:** H4007X60 (ASPH) S-20 MIRL

**RWY 17:** Thld dspcd 495'. Trees.

**RWY 35:** Tree.

**SERVICE: FUEL** 100LL **LGT** ACTVT MIRL Rwy 17-35—CTAF.

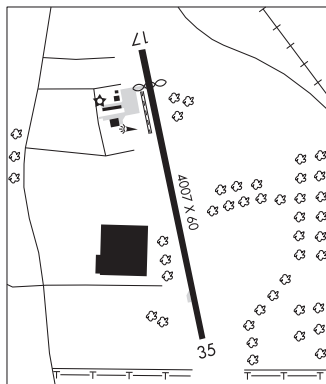
**AIRPORT REMARKS:** Unattended. 110LL fuel svc 24 hrs with credit card.

For fuel and svc aft hrs call 662-279-0310.

**AIRPORT MANAGER:** 662-279-0310

**COMMUNICATIONS: CTAF/UNICOM** 122.8

**CLEARANCE DELIVERY PHONE:** For CD ctc Memphis ARTCC at 901-368-8453/8449.



**BELZONI MUNI** (1M2) 3 SW UTC-6(-5DT) N33°08.71' W90°30.92'

**MEMPHIS**  
L-18G

110 B NOTAM FILE GWO

**RWY 03-21:** H3000X50 (ASPH) S-24 MIRL

**RWY 03:** PAPI(P2L)—GA 3.0° TCH 40'. P-line.

**RWY 21:** PAPI(P2L)—GA 3.0° TCH 40'.

**SERVICE: FUEL** 100LL **LGT** ACTVT MIRL Rwy 03-21—CTAF.

**AIRPORT REMARKS:** Unattended. 100LL self svc avbl 24 hrs via credit card.

**AIRPORT MANAGER:** 662-962-4840

**COMMUNICATIONS: CTAF** 122.9

**CLEARANCE DELIVERY PHONE:** For CD ctc Memphis ARTCC at 901-368-8453/8449.

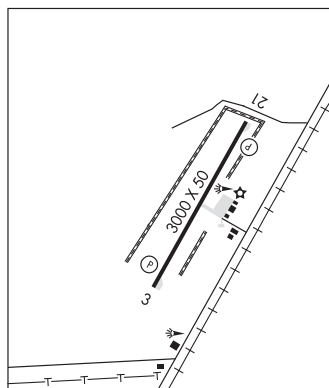
**RADIO AIDS TO NAVIGATION:** NOTAM FILE GWO.

**SIDON (VH) (H) VORTAC** 114.7 SQS Chan 94 N33°27.83'

W90°16.64' 209° 22.5 NM to fld. 127/3E.

VOR unusable:

059°-069° byd 40 NM



**BIGBEE** N33°29.13' W88°30.82' NOTAM FILE GWO.

**MEMPHIS**  
H-6J, L-18H

(I) (L) **VORTACW** 116.2 IGB Chan 109 236° 4.5 NM to Golden Triangle Rgnl. 245/4E.

VOR portion unusable:

010°-020°

200°-260° blo 5,000'

**RCO** 122.4 (GREENWOOD RADIO)