

APP CRS 062°	Rwy Idg 7312
	TDZE 6465
	Apt Elev 6472

RNAV (GPS) RWY 6

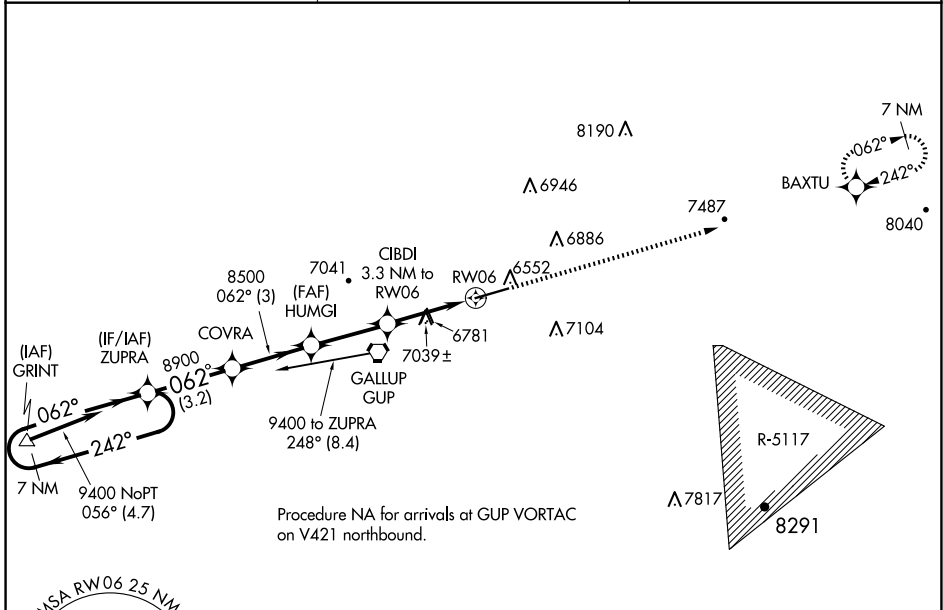
GALLUP MUNI (GUP)

RNP APCH - GPS.

▼ Rwy 6 helicopter visibility reduction below 3/4 SM NA. When local altimeter setting not received, use RQE altimeter setting and increase all MDAs 80 feet, increase LNAV Cat A visibility 1/4 SM. VDP NA with RQE altimeter setting.

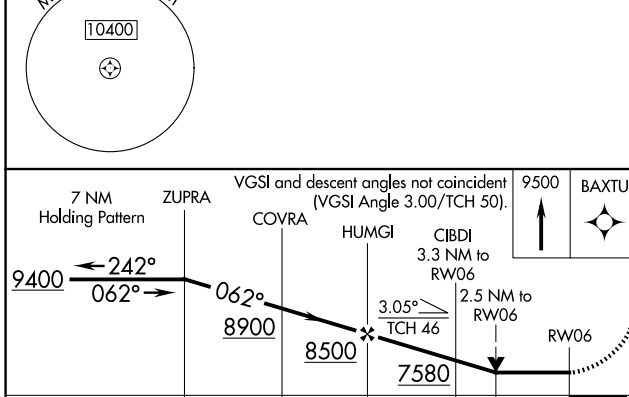
▲ MISSED APPROACH: Climb to 9500 direct BAXTU and hold.

ASOS 118.375	ALBUQUERQUE CENTER 124.325 288.25	UNICOM 122.95 (CTAF) 0
------------------------	---	----------------------------------

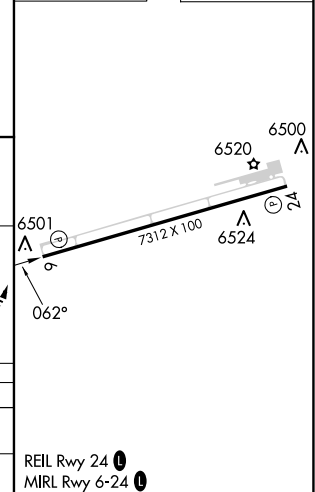


SW-1, 17 APR 2025 to 15 MAY 2025

SW-1, 17 APR 2025 to 15 MAY 2025



ELEV 6472	TDZE 6465
-----------	-----------



CATEGORY	A	B	C	D
LNAV MDA	7300-1 835 (900-1)	7300-1 1/4 835 (900-1 1/4)	7300-2 1/2	835 (900-2 1/2)
CIRCLING	7300-1 1/4	828 (900-1 1/4)	7460-3 988 (1000-3)	7720-3 1248 (1300-3)

REIL Rwy 24 **0**
MIRL Rwy 6-24 **0**