

APP CRS 302°	Rwy Idg TDZE Apt Elev	2539 104 106
------------------------	-----------------------------	---

RNAV (GPS) RWY 30

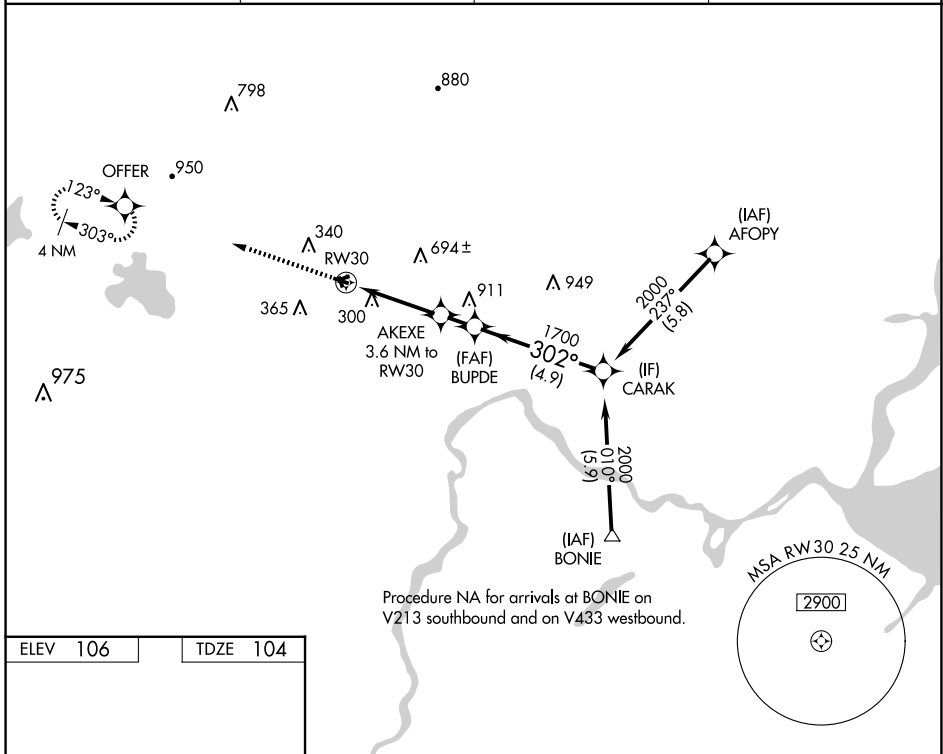
SOMERSET (SMQ)

RNP APCH - GPS.

⚠ Rwy 30 helicopter visibility reduction below 1 SM NA. Circling Rwy 8, 17, 26, 30 and 35 NA at night. Straight-in Rwy 30 NA at night.

MISSED APPROACH: Climb to 2500 direct OFFER and hold.

ASOS 120.6	NEWARK APP CON 132.8 379.9	UNICOM 123.0 (CTAF)	118.325 0
----------------------	--------------------------------------	-------------------------------	------------------

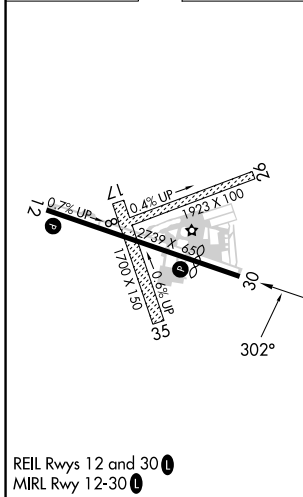


Procedure NA for arrivals at BONIE on V213 southbound and on V433 westbound.

NE-2, 17 APR 2025 to 15 MAY 2025

NE-2, 17 APR 2025 to 15 MAY 2025

ELEV 106	TDZE 104
----------	----------



REIL Rwy 12 and 30
MIRL Rwy 12-30

2500	OFFER	Visual Segment - Obstacles.			
↑	☀				
		RWY 30	AKEXE 3.6 NM to RWY 30	BUPDE	CARAK
			1680	1700	2000
			3.6 NM	1.3 NM	4.9 NM
CATEGORY	A	B	C	D	
LNAV MDA	960-1 856 (900-1)	960-1¼ 856 (900-1¼)	NA		
C CIRCLING	960-1¼	854 (900-1¼)	NA		