

APP CRS	Rwy Idg	<b>2578</b>
<b>242°</b>	TDZE	<b>7</b>
	Apt Elev	<b>7</b>

# RNAV (GPS) RWY 24

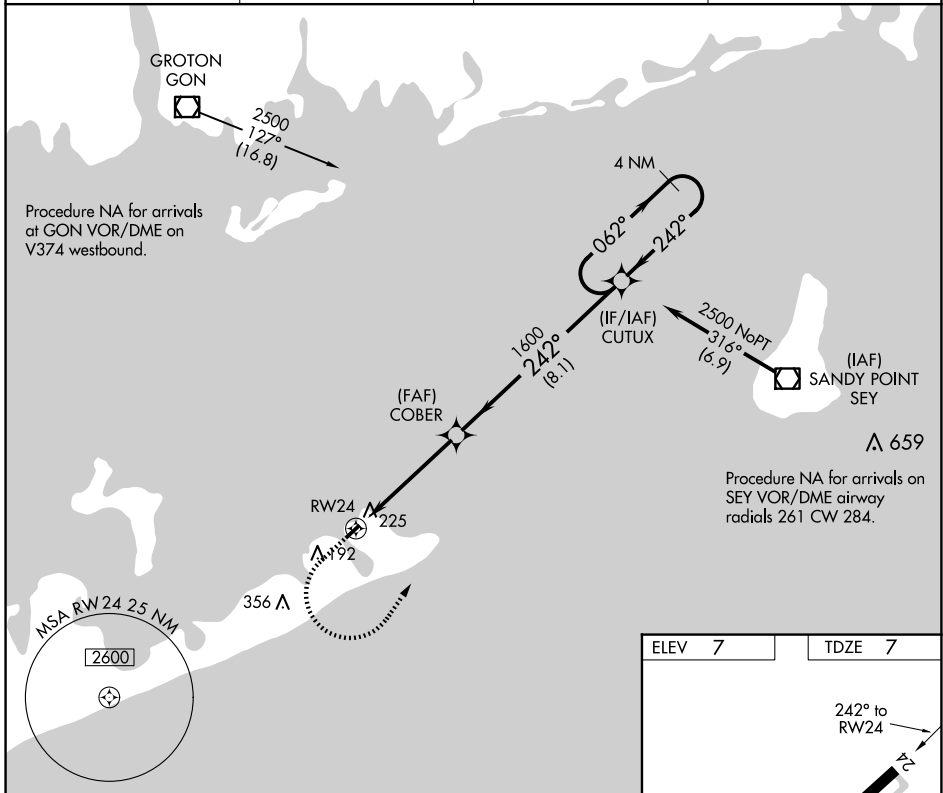
MONTAUK (MTP)

RNP APCH - GPS

**▼** Helicopter visibility reduction below 1 SM NA. Use Groton-New London altimeter setting; when not received, use Block Island State altimeter setting: increase all MDA 20 feet and visibility LNAV Cats C and D 1/4 SM and Circling Cats D 1/4 SM. Procedure NA at night.

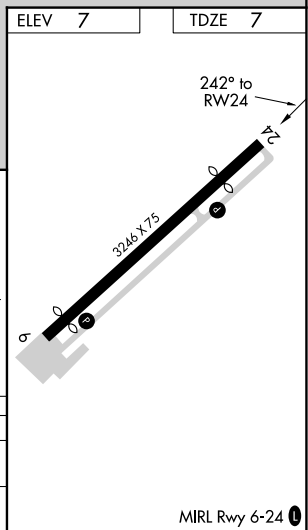
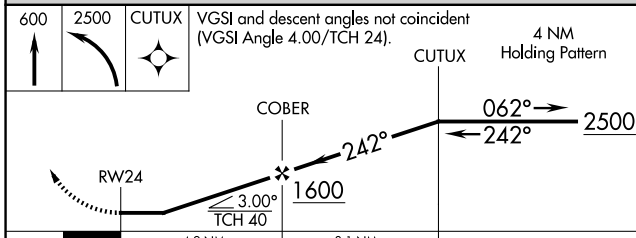
**MISSED APPROACH:**  
Climb to 600 then climbing left turn to 2500 direct CUTUX and hold.

GON ASOS <b>127.0</b>	NEW YORK APP CON <b>125.975 343.65</b>	UNICOM <b>122.7 (CTAF)</b>	<b>121.7 0</b>
--------------------------	---	-------------------------------	----------------



NE-2, 17 APR 2025 to 15 MAY 2025

NE-2, 17 APR 2025 to 15 MAY 2025



CATEGORY	A	B	C	D
LNAV MDA	520-1	513 (600-1)	520-1 3/8	513 (600-1 3/8)
CIRCLING	580-1	573 (600-1)	580-1 1/2 573 (600-1 1/2)	740-2 1/4 733 (800-2 1/4)

MIRL Rwy 6-24 0