

WAAS CH <b>65918</b> <b>W31A</b>	APP CRS <b>307°</b>	Rwy Idg TDZE Apt Elev	<b>4201</b> <b>1394</b> <b>1402</b>
--	------------------------	-----------------------------	---

# RNAV (GPS) RWY 31

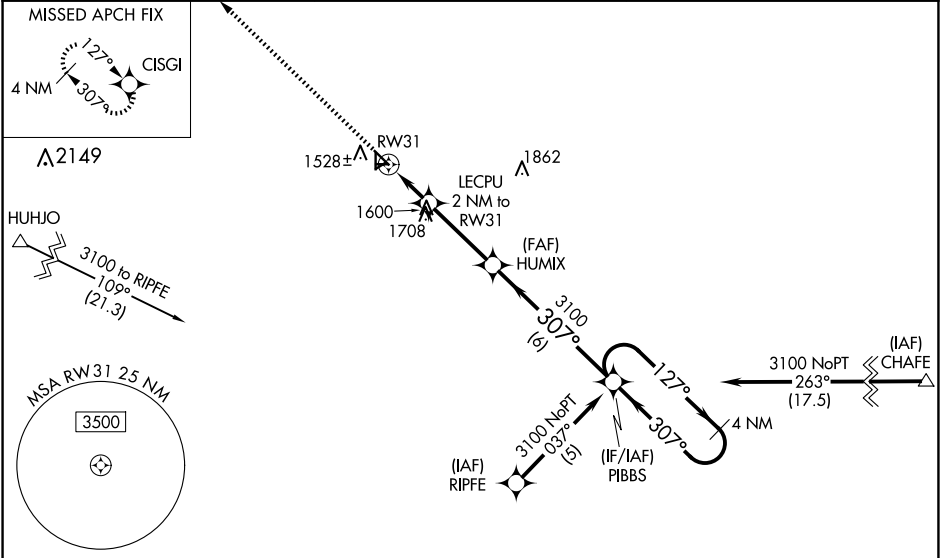
BARNES COUNTY MUNI (BAC)

RNP APCH - GPS.

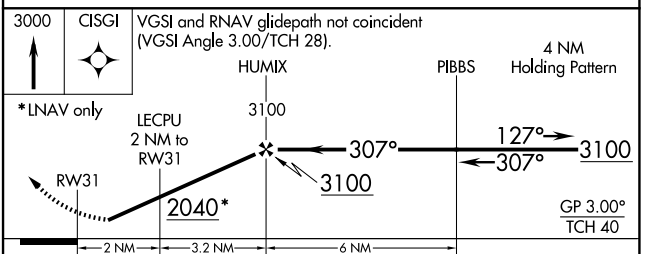
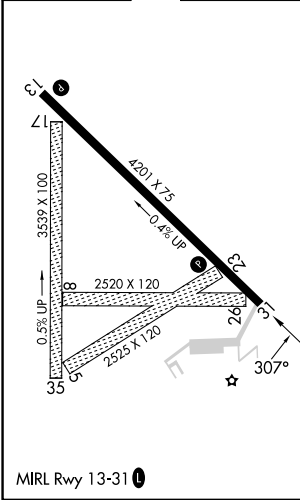
**⚠** Baro-VNAV NA when using Jamestown altimeter setting. For uncompensated Baro-VNAV systems, LNAV/VNAV NA below -17°C or above 54°C. When local altimeter setting not received, use Jamestown altimeter setting: increase LPV DA to 1721 feet and all visibilities ¾ SM; increase LNAV/VNAV DA to 1794 and all visibilities ¾ SM; increase all MDA 80 feet and visibility Circling Cat C ¼ SM. Circling NA to Rwy 5, 8, 17, 23, 26, and 35. Rwy 31 helicopter visibility reduction below ¾ SM NA.

MISSED APPROACH: Climb to 3000 direct CISGI and hold.

AWOS-3 <b>118.725</b>	MINNEAPOLIS CENTER <b>124.2 270.3</b>	UNICOM <b>122.8 (CTAF)</b>
--------------------------	--	-------------------------------



ELEV <b>1402</b>	TDZE <b>1394</b>
------------------	------------------



CATEGORY	A	B	C	D
LPV DA	1644-1		250 (300-1)	NA
LNAV/VNAV DA	1717-1¼		323 (400-1¼)	NA
LNAV MDA	1900-1	506 (500-1)	1900-1½ 506 (500-1½)	NA
CIRCLING	1920-1 518 (600-1)	2000-1 598 (600-1)	2020-1¾ 618 (700-1¾)	NA

NC-1, 17 APR 2025 to 15 MAY 2025

NC-1, 17 APR 2025 to 15 MAY 2025